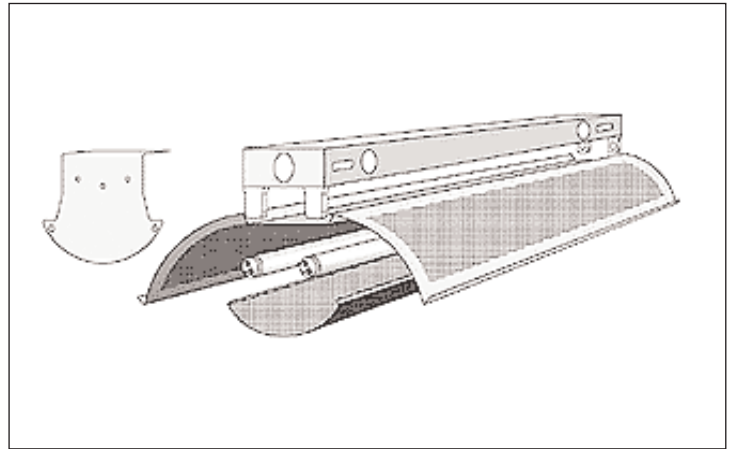
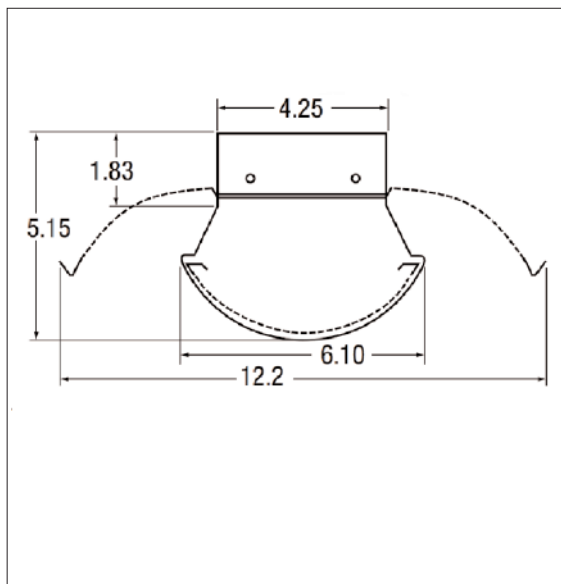


BELMONT SERIES

The Belmont is a direct and indirect fixture featuring perforated metal for balanced illumination and superior low angle brightness. An optional variety of lamp diffusers to fit any decor.



Dimensional Data



Specifications

Mounting: Fixtures may be surface or pendant mounted individually.

Construction: Housings die-formed of heavy gauge steel designed for maximum strength and uniformity. Reflectors are die-formed of round hole perforated metal.

Diffuser: Standard diffuser round (PMO) hole perforated metal with opal overlay.

Finish: All metal parts are thoroughly cleaned and treated to prevent rust and deterioration with a phosphate coating. Surfaces are then electrostatically sprayed with a high quality white enamel with a reflectance of 87%.

Wiring: Standard ballast are universal voltage.

Approval: All units are Underwriter's Laboratories (UL) approved.

Ordering Information

<i>Catalog #</i>	<i>Lamps</i>	<i>Length</i>
BEL140PMEBO	1-F32T8	4'
BEL240PMEBO	2-F32T8	4'
BEL340PMEBO	3-F32T8	4'
BEL154HOPM	1-F54T5HO	4'
BEL254HOPM	2-F54T5HO	4'

Options and Accessories

CLF	Clear Fluted Acrylic Diffuser
PA	Prismatic Acrylic Diffuser
UV	Univolt Voltage
*EM	1-lamp Emergency Ballast
*EM2	2-lamp Emergency Ballast
FS	Fusing
DIM	Dimming Ballast
* Supply Voltage Required	

Photometrics: Photometric Information available upon request.

