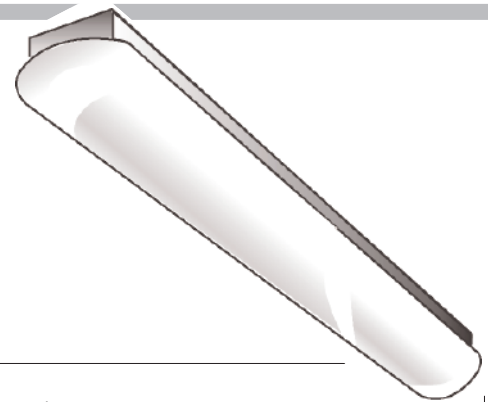
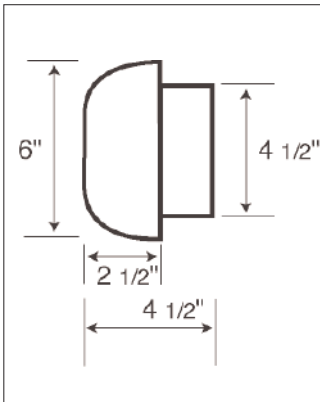


BP SERIES

A narrow puff of light to illuminate the most discriminating of bathrooms and corridors. Smooth opal acrylic evenly distributes the light of either fluorescent or miniature twin tubes. Meets ADA requirements.



Dimensional Data



Specifications

Mounting: Back plate provided with adequate knockouts and mounting holes for wall installation on 4" box.

Construction: Fixture housing die-formed of heavy gauge cold rolled steel with electrostatically sprayed high quality white enamel.

Diffuser: One piece .170 smooth opal 100% acrylic for a fully luminous light source.

Wiring: Standard ballast are 120 volts 60 hertz. Biax ballast are electronic. PL ballast are normal power factor. High power factor available upon request.

Approval: All units are Underwriter's Laboratories (UL) approved.

Ordering Information

Catalog #	Lamp	Length	Catalog #	Lamp	Length
ELECTRONIC T12			ELECTRONIC OCTRON T8		
BP120EB	1-F20T12	2'	BP120EBO	1-F17T8	2'
BP220EB	2-F20T12	2'	BP220EBO	2-F17T8	2'
BP130EB	1-F30T12	3'	BP130EBO	1-F25T8	3'
BP230EB	2-F30T12	3'	BP230EBO	2-F25T8	3'
BP140EB	1-F40T12	4'	BP140EBO	1-F32T8	4'
BP240EB	2-F40T12	4'	BP240EBO	2-F32T8	4'
MINIATURE TWIN TUBES			ELECTRONIC BIAX		
BP24-313	3-13W	2'	BP24-BX40	1-40WBIAX	2'
BP36-413	4-13W	3'	BP36-BX39	2-39WBIAX	3'
BP48-613	6-13W	4'	BP48-BX40	2-40WBIAX	4'

Options and Accessories Add Suffix

DIM Dimming Ballast	RFI Radio Interference Filter
EM Emergency Ballast (1 lamp)	FS External Fuse and Holder
•EM/2 Emergency Ballast (2 lamp)	

•Note: Consult Factory on Compatibility EM/2 Option.

Photometrics Photometric Information available upon request.

