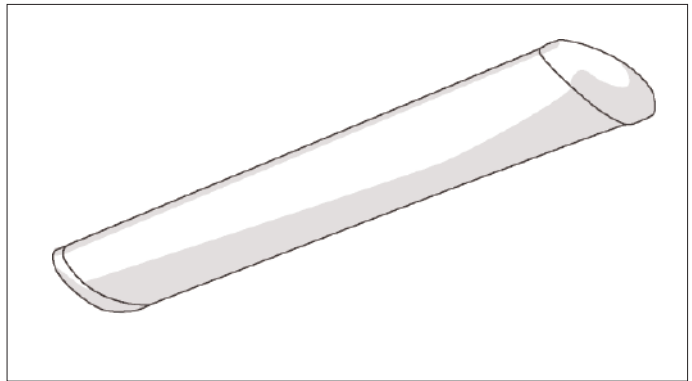
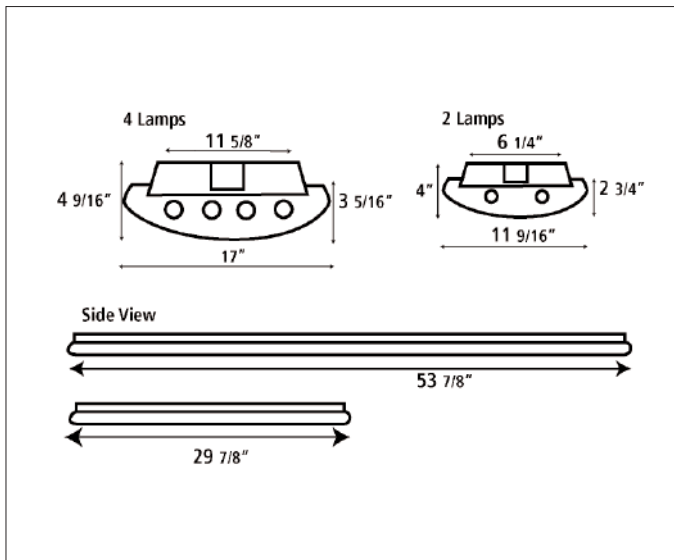


CONCEPT 8 SERIES

Decorative Linear Fluorescent Fixture Designer Coordinate Components. An exciting new line of decorative fluorescent ceiling fixture features new designer coordinate components. A sculptured smooth white diffuser encased in a pair of designer coordinated end caps available in a diverse range of colors from a Translucent White to a choice of Faux Marble and Granite Grains.



Dimensional Data



Specifications

Construction: All metal parts die formed from heavy gauge cold rolled steel housing with ample knockouts for mounting and electrical feeds.

Finish: All steel parts are finished in baked white enamel to provide a minimum of reflectance of 89%.

Diffuser: The one-piece diffuser is formed from .125" thick smooth white acrylic. Each designer end cap is sonically welded onto the diffuser for a permanent fit. The entire assembly mounts onto the housing via lift-and-shift method.

Wiring: Standard ballast 120 volt.

Approval: All units are Underwriter's Laboratories (UL) approved and bear their label.

Ordering Information

Catalog #	Lamp	Catalog #	Lamp	Size
ELECTRONIC T12		ELECTRIC OCTRON T8		
C8-10-220WMEB	2-F20T12	C8-10-220WMEBO	2-F17T8	2'
C8-10-240WMEB	2-F40T12	C8-10-240WMEBO	2-F32T8	4'
C8-15-420WMEB	4-F20T12	C8-15-420WMEBO	4-F17T8	2'
C8-15-440WMEB	4-F40T12	C8-15-440WMEBO	4-F32T8	4'

Optional Ends

IV Ivory Marble	VG Verde Green	PM Peach Marble	Substitute options for WM in ordering number. Example: C8-10-240IVEBO for Ivory Marble end.
BM Black Marble	SW Solid White	AL Alabaster	
TO Tortoise	WM White Marble	GO Gold	
BG Black Gravel	SV Silver		

Photometrics Photometric Information available upon request.

