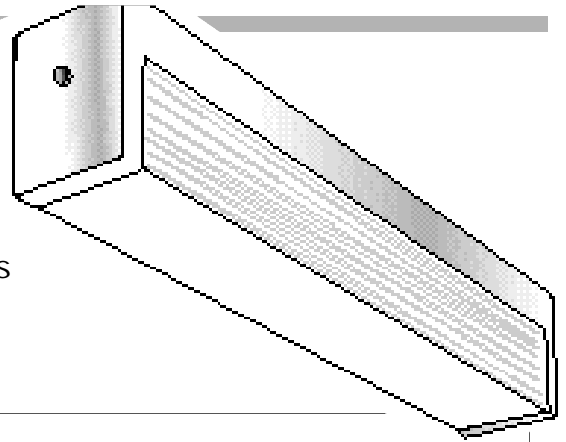
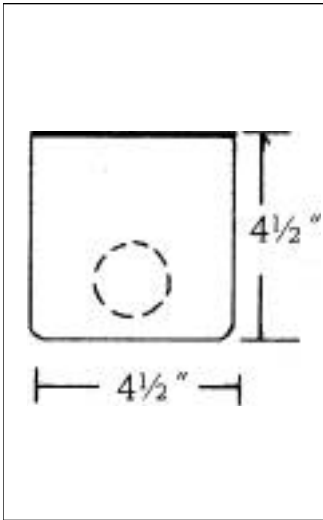


# DC SERIES

Stylish ceiling/wall mounted luminaire in either white or walnut finish with a variety of lamp combinations and sizes enhanced by linear sided acrylic diffuser. Ideal lighting for hallways, bathrooms and areas where a specialized touch is needed.



## Dimensional Data



## Specifications

**Mounting:** Back plate provided with adequate knockouts and mounting holes for either wall or ceiling installation.

**Construction:** All metal parts are die formed from heavy gauge cold roll steel with overlapping end caps to insure uniformity and dimensional stability. One light and two light units same external dimensions.

**Finish:** Standard exterior finish is white. Woodgrain vinyl or polished chrome also available. All interior surfaces are electro-statically sprayed with high quality white enamel to provide a minimum reflectance of 87%.

**Diffuser:** Linear sided prismatic lens of extruded acrylic for controlled light.

**Wiring:** Standard ballast are 120volts, 60 hertz.

**Approval:** All units are Underwriter's Laboratories (UL) approved.

## ORDERING INFORMATION

<i>Catalog #</i>	<i>Lamp</i>	<i>Length</i>	<i>Catalog #</i>	<i>Lamp</i>	<i>Length</i>
<b>MAGNETIC</b>			<b>ELECTRONIC OCTRON</b>		
<b>DC115W</b>	<b>1-F15T12</b>	<b>18"</b>	<b>DC120WEBO</b>	<b>1-FO17T8</b>	<b>24"</b>
<b>DC215W</b>	<b>2-F15T12</b>	<b>18"</b>	<b>DC220WEBO</b>	<b>2-FO17T8</b>	<b>24"</b>
<b>DC120W</b>	<b>1-F20T12</b>	<b>24"</b>	<b>DC130WEBO</b>	<b>1-FO25T8</b>	<b>36"</b>
<b>DC220 W</b>	<b>2-F20T12</b>	<b>24"</b>	<b>DC230WEBO</b>	<b>2-FO25T8</b>	<b>36"</b>
<b>DC130 W</b>	<b>1-F30T12</b>	<b>36"</b>	<b>DC140WEBO</b>	<b>1-FO32T8</b>	<b>48"</b>
<b>DC230WES</b>	<b>2-F30T12</b>	<b>36"</b>	<b>DC240WEBO</b>	<b>2-FO32T8</b>	<b>48"</b>
<b>DC140WES</b>	<b>1-F40</b>	<b>48"</b>			
<b>DC240WES</b>	<b>2-F40</b>	<b>48"</b>			
<b>COMPACT</b>					
<b>DC18W/2PL13</b>	<b>2-13W</b>	<b>18"</b>			
<b>DC24W/2PL13</b>	<b>2-13W</b>	<b>24"</b>			
<b>DC36W/4PL13</b>	<b>4-13W</b>	<b>36"</b>			
<b>DC48W/6PL13</b>	<b>6-13W</b>	<b>48"</b>			

Standard color white: for Walnut finish remove W from catalog # Example; DC240ES  
Bi-x lamps available: Consult factory for information on specifications.



# DC SERIES

## Options and Accessories *Add Suffix*

EB	Electronic T12
*CW	Low Temperature ( 0 ) Ballast
*DIM	Dimming Ballast
EM	Emergency Ballast (1 lamp)
•EM/2	Emergency Ballast (2 lamp)
RFI	Radio Interference Filter
FS	External Fuse and Holder
REF	Internal Polished Aluminum Reflector
REFS	Internal Specular Silver Reflector
CO	Grounded Convenience Outlet
GFI	Ground Fault Circuit Interrupter
WH	White Acrylic Diffuser

- \*Available Magnetic T12 or Electronic T8.
- Note: Consult Factory on Compatibility EM/2 Option.

## Photometrics

Photometric Information available upon request.

## Installation Data

