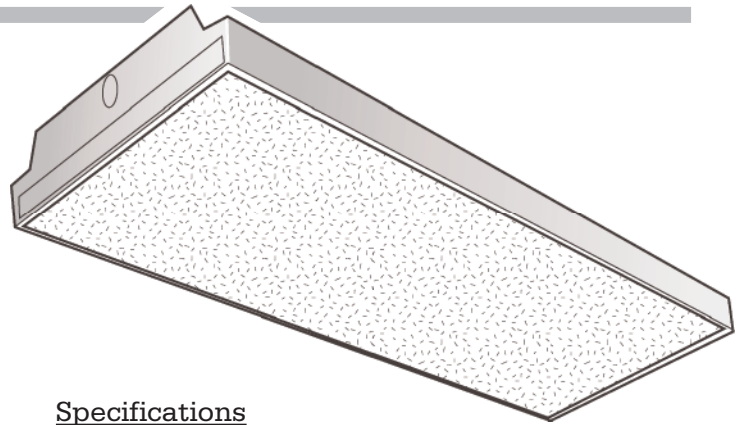
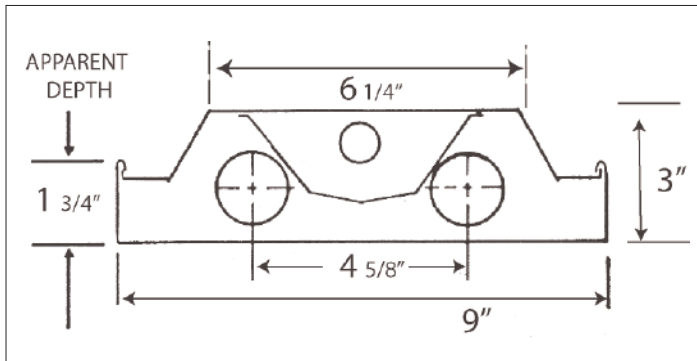


EW SERIES

Linear sides and prismatic bottom combined with shallow profile provide an ideal economy luminaire for low brightness applications such as schools, offices and corridors.



Dimensional Data



Options and Accessories Add Suffix

DIM	Dimming Ballast
EM	Emergency Ballast (1 lamp)
• EM/2	Emergency Ballast (2 lamp)
RFI	Radio Interference Filter
FS	External Fuse and Holder
REF	Internal Polished Aluminum Reflector
REFS	Internal Specular Silver Reflector

•Note: Consult Factory on Compatibility **EM/2** Option.

Specifications

Mounting: Units may be surface or pendant mounted individually or in continuous rows. For continuous row mounting end knockouts are removed and fixtures are joined together with chase nipples. Housing then forms continuous wireway.

Construction: Fixture housings are die-formed of heavy gauge steel to insure uniformity and dimensional stability.

Shielding: Linear sided prismatic lens of extruded acrylic for controlled light. Shielding hinges from either side for ease of maintenance without use of tools.

Finish: All metal parts are thoroughly cleaned and treated to prevent rust and deterioration with a phosphate coating applied in a five stage process. Surfaces are then electrostatically sprayed with high quality white enamel to provide a minimum reflectance of 87%.

Wiring: Standard ballast are 120 volts, 60 hertz.

Approval: All units are Underwriters' Laboratories (UL) approved.

Ordering Information

Catalog #	Size	Lamp	Catalog #	Size	Lamp
ELECTRONIC T12			ELECTRIC OCTRON T8		
EW220AEB	9"x 24"	2-F20T12	EW220AEBO	9"x 24"	2-F17T8
EW240AEB	9"x 48"	2-F40T12	EW240AEBO	9"x 48"	2-F32T8
			EW240TAEB0	9"x 96"	4-F32T8

Photometrics: Photometric Information available upon request.

