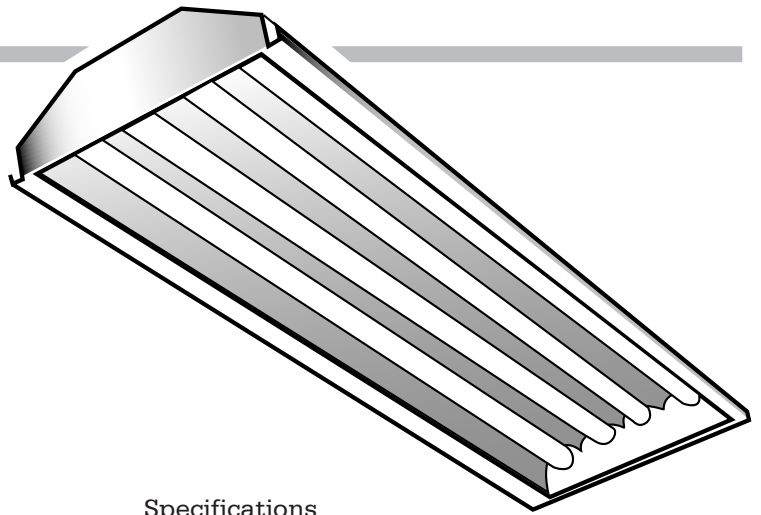
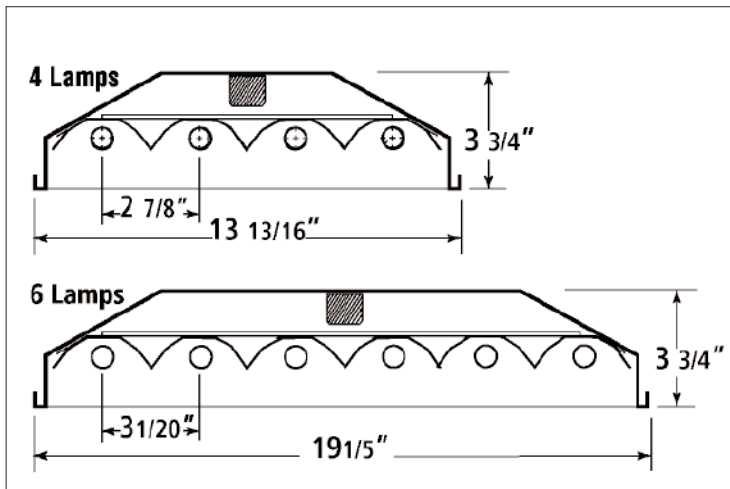


HIBAY SERIES

High efficiency fluorescent light fixture with instant on starting to replace standard 400-watt metal halide.



Dimensional Data



Ordering Information

Catalog #	Lamps	Voltage
HBA24428T5	4-F28T5	UV
HBA24454THO	4-F54T5HO	UV
HBA24654T5HO	6-F54T5HO	UV
HBA24432T8	4-F32T8	UV
HBA24632T8	6-F32T8	UV

Notes:

All units supplied with Miro 4 solid reflectance
 All units supplied with uni-volt ballasts
 4-lamp units supplied with
 (1) lamp ballasts as standard
 6-lamp units supplied with (1) 4-lamp &
 (1) 2-lamp ballast as standard
 Other ballast configurations are available -
 Consult factory

Specifications

Construction: Housing die formed of 20 gauge cold rolled steel and spot welded to insure uniformity and stability. Meets NYC code requirements.

Mounting: Fixtures may be surface, pendant, stem or chain hung.

Ballasts: Ballasts are class P, sound rating A, T5's are 90c rated. Standard is Universal Voltage.

Finish: Reflector is miro-4 95% reflectance.

Application: Medium to high bay areas as typically found in manufacturing, gymnasiums, retail and commercial settings.

Wiring: Standard voltage is Universal Voltage. (UV)

Approval: All units are Underwriter's Laboratories (UL) approved.

Options and Accessories Add Suffix

DIM	Dimming Ballast
EM	Emergency Ballast (1 lamp)
+EM/2	Emergency Ballast (2 lamp)
RFI	Radio Interference Filter
FS	External Fuse and Holder
OCS	Occupancy Sensor
WG	Wireguard
MS	Multi-Switching
+ Consult Factory for Ballast Compatibility	

Photometrics:

Photometric Information available upon request.

NEW ENGLAND
LIGHTING
 INCORPORATED