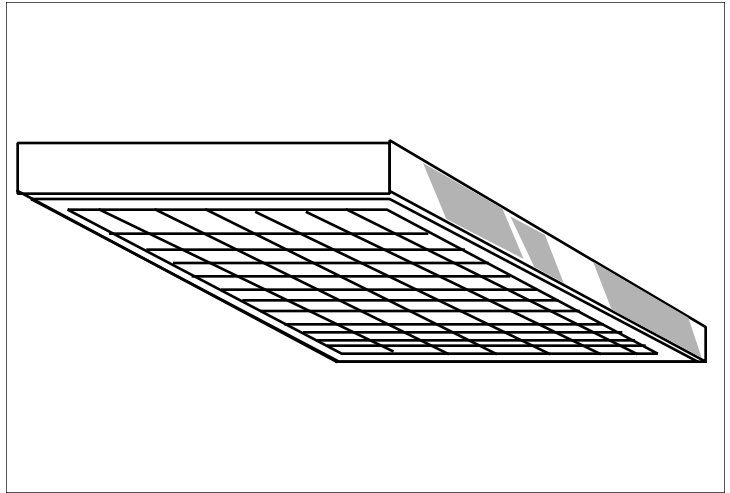
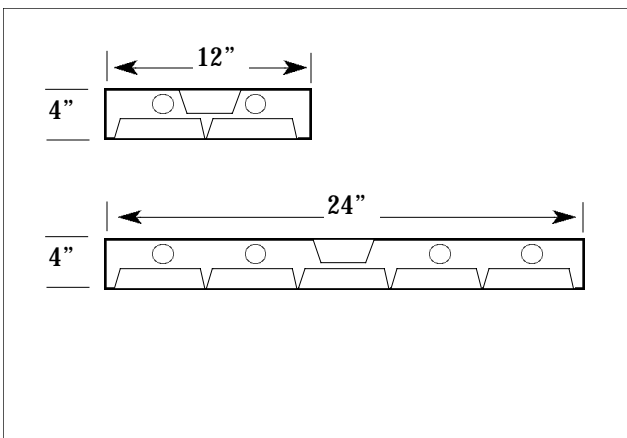


MB SERIES-SURFACE

MB Series features large cell semi-specular parabolic aluminum louvers to provide low brightness combined with high visual comfort.



Dimensional Data



MB SERIES-SURFACE

Type	Lamp	Size
MBS14240ES	2-F40	1X4
MBS22420	4-F20T12	2X2
MBS22240UES	2-F40/U/6	2X2
MBS24240ES	2-F40	2X4
MBS24340ES	3-F40	2X4
MBS24440ES	4-F40	2X4
	22 Cell - 1x4	
	25 Cell - 2x2	
	55 Cell - 2x4	

Add Suffix "EBO"-Electronic "T8"
Add Suffix "EB"-Electronic "T12"

Specifications

Mounting: Back plate provided with adequate knockouts for either surface or pendant mounting.

Construction: All metal parts die formed from heavy gauge cold roll steel. Housing spot welded to insure uniformity and dimensional stability. Shielding is completely enclosed in heavy gauge steel frame invisibly hinged and designed to eliminate light leaks.

Finish: All metal parts are thoroughly cleaned and treated to prevent rust and deterioration with a phosphate coating applied automatically in a five-stage process. Surfaces are then sprayed with high quality white enamel to provide a minimum of reflectance of 87%.

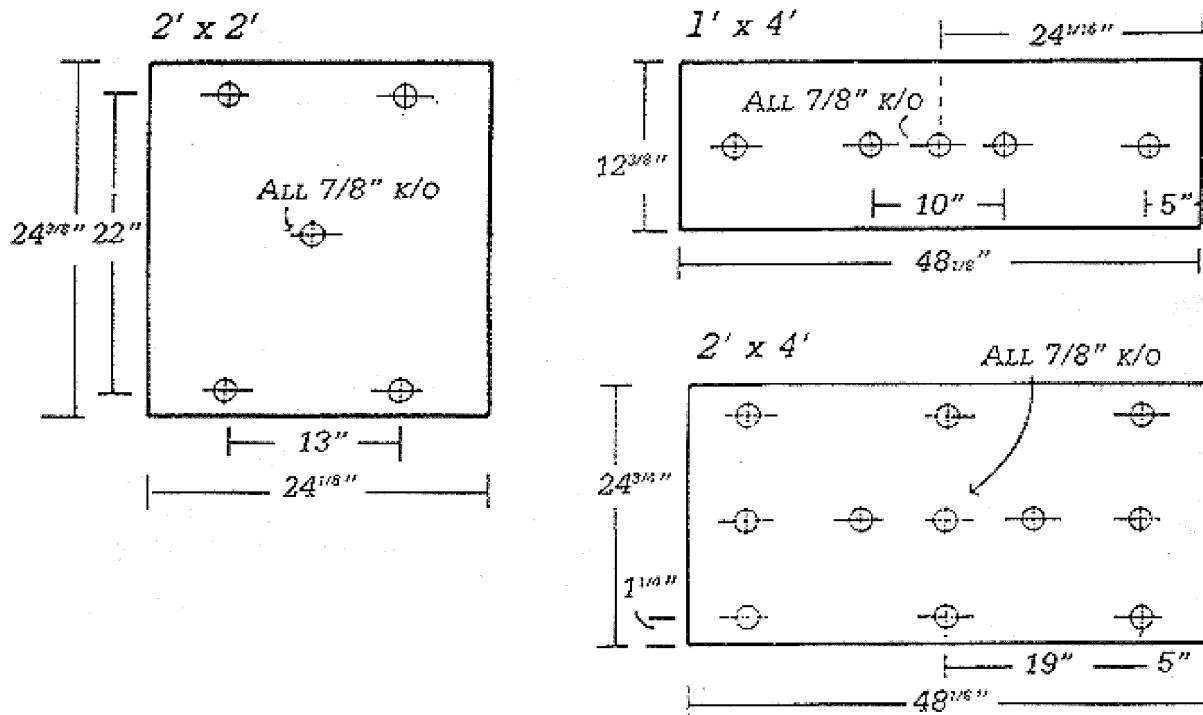
Diffuser: Parabolic louvers are fabricated from precision formed .020" semi-specular anodized aluminum blades and interlocked for added rigidity. Cell size shall be 4" x 4" x 1.2" for 2" x 2" and 2 x 4 or 4.7" x 1.2" for 1' x 4' units. Specular clear anodized available on special order.

Wiring: All ballast are high power factor ETC-CBM class "P". 120 volt except where noted

Approval: All units are Underwriter's Laboratories (UL) approved.

MB SERIES- SURFACE

Installation Data



Photometric Information
available upon request.