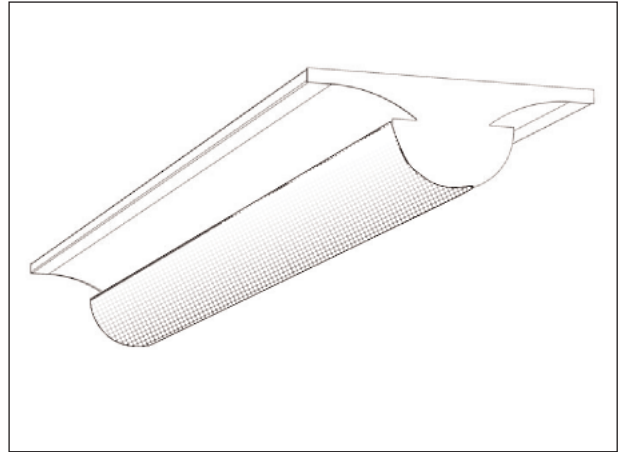


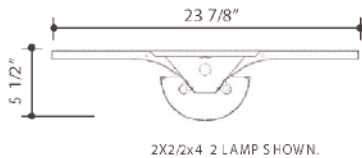
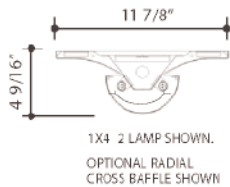
MELROSE SERIES SURFACE MOUNT CENTER BASKET DIRECT AND INDIRECT

Premium grade, surface mounted, high visual comfort direct/indirect fluorescent luminaire. Comes with single basket shaped perforated metal shield. Available in 2'x2', 2'x4', and 1'x4' configurations. For use in indoor applications where low glare, high quality and ease of installation are required



Dimensional Data

Can be individual mounted, or in continuous row.



Specifications

Mounting: Mounts over electrical junction box. Mounting holes are provided. Knock-outs are provided for stem mounting. Optional aircraft cable assembly and canopy sets are available.

Construction: Die formed and spot welded, heavy gauge cold rolled steel housing assembly. Precision formed, cold rolled steel reflector. Die formed perforated cold rolled steel sheilding.

Optics: Shields are perforated for direct illumination and contain a translucent opal white acrylic overlay diffuser for visual comfort. Indirect reflectors are precision formed and contoured to provide soft, low glare indirect illumination while maintaining high efficiency and a wide uniform lighting distribution.

Finish: Powder painted matte white visible surfaces.

Approvals: All units are Underwriter's Laboratories (UL) approved.

Application: Office Areas, Retail Stores, Classrooms, Corridors.

Ordering Information

Catalog	Lamp	Size	Catalog	Lamp	Size	Options
MEL14232/UV	2-F32T8	1'X4'	MEL22224HO/UV	2-FP24T5HO	2'X2'	OD Quick disconnect
MEL14332/UV	3-F32T8	1'X4'	MEL22324HO/UV	3-FP24T5HO	2'X2'	EM 1-Lamp emergency bal
MEL14228/UV	2-FP28T5	1'X4'	MEL24232/UV	2-F32T8	2'X4'	EM2 2-Lamp emergency bal
MEL14328/UV	3-FP28T5	1'X4'	MEL24332/UV	3-F32T8	2'X4'	DIM Dimming ballasts
MEL14254HO/UV	2-FP54T5HO	1'X4'	MEL24228/UV	2-FP28T5	2'X4'	2BAL Dual ballast switching
MEL14354HO/UV	3-FP54T5HO	1'X4'	MEL24328/UV	3-FP28T5	2'X4'	
MEL22217/UV	2-F17T8	2'X2'	MEL24254HO/UV	2-FP54T5HO	2'X4'	
MEL22317/UV	3-F17T8	2'X2'	MEL24354HO/UV	3-FP54T5HO	2'X4''	
MEL22214/UV	2-FP14T5	2'X2'				
MEL22314/UV	3-FP14T5	2'X2'				

Photometrics: Photometric Information available upon request.

