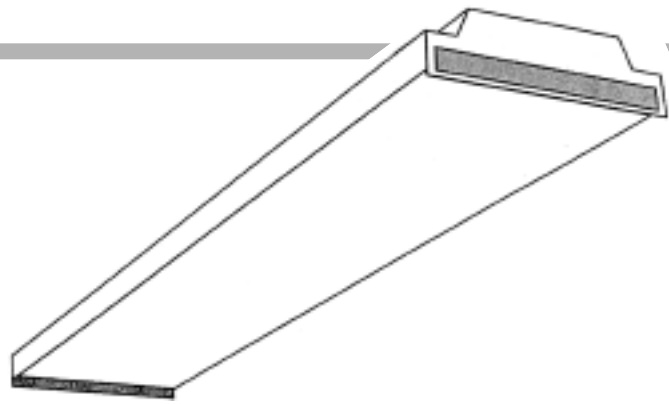
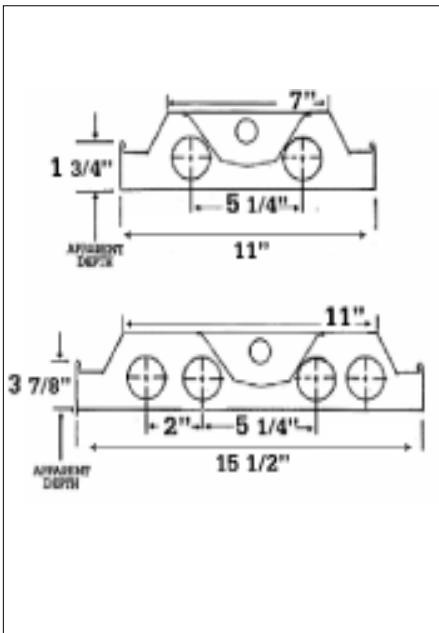


SG SERIES

Linear sides and prismatic bottom combined with shallow profile provide an ideal luminaire for low brightness applications such as schools, offices and corridors.



Dimensional Data



Specifications

Mounting: Unit may be surface or pendant mounted individually or in continuous rows. For continuous row mounting end knockouts are removed and fixtures are joined together with chase nipples. Housing then forms a continuous wireway. Suitable for mounting on low density surfaces.

Construction: Fixture housing is die formed of heavy gauge steel to insure uniformity and stability.

Shielding: Linear sided prismatic lense of extruded virgin acrylic for controlled light. Shield hinges from either side for ease of maintenance without use of tools. Eight foot fixtures are provided with 2 four foot diffusers.

Finish: All metal parts are thoroughly cleaned and treated to prevent rust and deterioration with phosphate coating applied in a five stage process. Surfaces are then electrostatically sprayed with high quality white enamel to provide a minimum reflectance of 87%.

Wiring: Standard ballast are 120V.

Approval: All units are Underwriters Laboratories (UL) approved.

Ordering Information

Unit #	Lamp	Size	Unit #	Lamp	Size
ELECTRONIC T12			ELECTRONIC OCTRON T8		
SG220AEB	2-F20T12	11" X 24"	SG220AEBO	2-F17T8	11" X 24"
SG230AEB	2-F30T12	11" X 36"	SG230AEBO	2-F25T8	11" X 36"
SG240AEB	2-F40T12	11" X 48"	SG240AEBO	2-F32T8	11" X 48"
SG240TAEB	4-F40T12	11" X 96"	*SG240TAEBO	4-F32T8	11" X 96"
SG296AEB	2-F96T12	11" X 96"	SG296AEBO	2-F96T8	11" X 96"
SG240AEB-16	2-F40T12	15" X 48"	SG240AEBO-16	2-F32T8	15" X 48"
SG420AEB	4-F20T12	15" X 24"	*SG420AEBO	4-F17T8	15" X 24"
SG340AEB	3-F40T12	15" X 48"	*SG340AEBO	3-F32T8	15" X 48"
SG440AEB	4-F40T12	15" X 96"	*SG440AEBO	4-F32T8	15" X 48"
SG240AEB-16	4-F40T12	15" X 96"	*SG240TAEBO-16	4-F32T8	15" X 96"
SG340TAEB	6-F40T12	15" X 96"	SG340TAEBO	6-F32T8	15" X 96"
SG440TAEB	8-F40T12	15" X 96"	SG440TAEBO	8-F32T8	15" X 96"
SG496AEB	4-F96T12	15" X 96"	SG496AEBO	4-F96T8	15" X 96"

*Standard unit single ballast-dual switching add suffix "/2". Example: **SG440EBO/2**



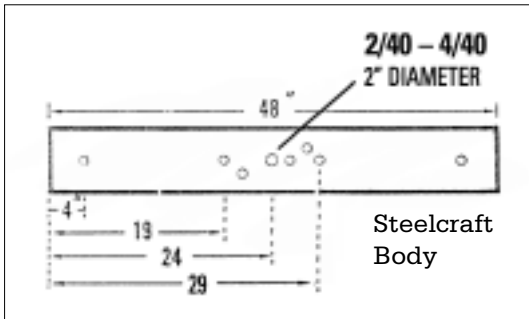
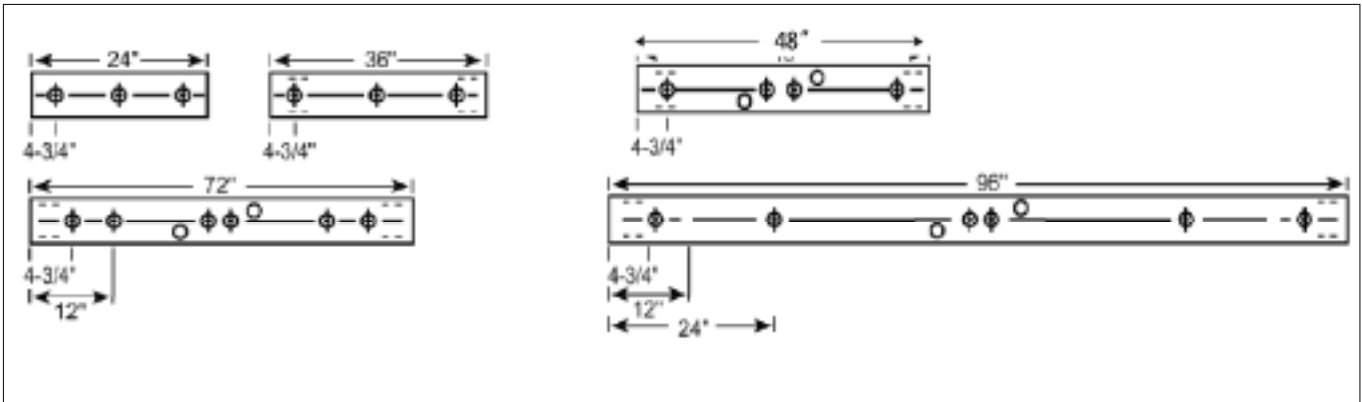
SG SERIES

Accessories Add Suffix

DIM	Dimming Ballast	RFI	Radio Interference Filter
EM	Emergency Ballast (1 lamp)	FS	External Fuse and Holder
* EM/2	Emergency Ballast (2 lamp)	REF	Internal Polished Aluminium Reflector
RFI	Radio Interference Filter	REFS	Internal Specular Silver Reflector
		NY	New York City Approval - 20 Gauge

* Consult Factory on Compatibility EM/2 Option

Installation Data: Dimensions of fixtures are subject to change without notice. Consult factory for verification



Photometrics: Photometric information available upon request

