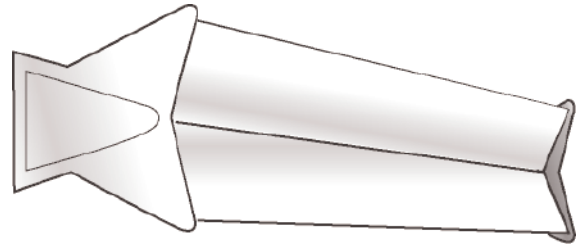
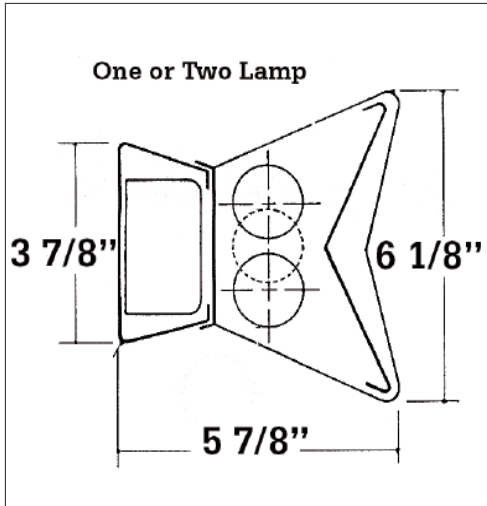


VL SERIES

Die cast end caps enhance the stylish appearance of direct/indirect wall valance. Available in either wood grain vinyl or white front baffles to distribute the glow of either one or two lamps. An ideal luminaire for distinctive hallway lighting.



Dimensional Data



Specifications

Mounting: Back plate provided with adequate knockouts and mounting holes for wall installation.

Construction: Fixture housing is constructed of heavy gauge die-formed steel to maintain uniformity and dimensional stability. Die cast ends with invisible knockouts and decorative embossing. One light and two light units same external dimensions.

Shielding: V-shaped shielding in either simulated woodgrain or white.

Finish: All interior surfaces are electrostatically sprayed with high quality white enamel. Die cast ends are either white or beige to match shielding color.

Wiring: Standard ballast are 120 volt 60 hertz.

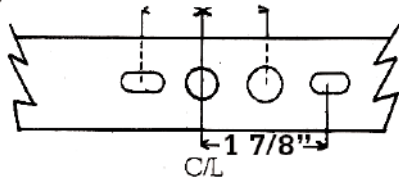
Approval: All units are Underwriter's Laboratories (UL) approved.

Ordering Information

Catalog # White	Catalog # Walnut	Lamp	Length	Catalog # White	Catalog # Walnut	Lamp	Length
ONE LIGHT ELECTRONIC T12				ONE LIGHT ELECTRONIC OCTRON T8			
VL120EB	VW120EB	1-F20T12	2'	VL117	VW117	1-F17T8	2'
VL130EB	VW130EB	1-F30T12	3'	VL125	VW125	1-F25T8	3'
VL140EB	VW140EB	1-F40T12	4'	VL132	VW132	1-F32T8	4'
TWO LIGHT ELECTRONIC T12				TWO LIGHT ELECTRONIC OCTRON T8			
VL220EB	VW220EB	2-F20T12	2'	VL217	VW217	2-F17T8	2'
VL230EB	VW230EB	2-F30T12	3'	VL225	VW225	2-F25T8	3'
VL240EB	VW240EB	2-F40T12	4'	VL232	VW232	2-F32T8	4'

Installation Data

Mounting Holes 1 1/2" 1 1/8"



Photometrics Photometric Information available upon request.

Options and Accessories Add Suffix

- DIM** Dimming ballast
- EM** Emergency ballast (1 lamp)
- EM/2** Emergency ballast (2 lamp)
- RFI** Radio interference filter
- FS** External fuse and holder
- SW4** 4-way switch (2 ballast)

•Note: Consult factory on compatibility EM/2 option.

NEW ENGLAND
LIGHTING
INCORPORATED