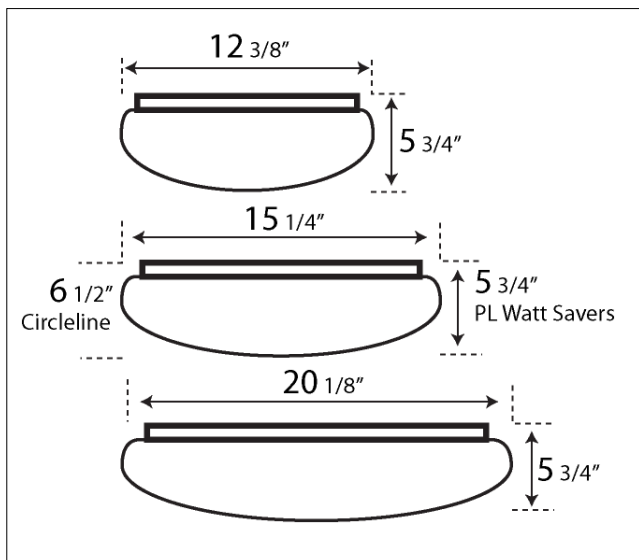


# 700 SERIES

This mushroom shaped opal acrylic diffuser represents the newest style in contemporary lighting design. Shadow free illumination provides the light of both circleline and miniature twin tube lamps. A very distinctive yet functional lighting source for both residential and commercial applications.



## Dimensional Data:



## Specifications

**Mounting:** Back Plate provided with adequate knock-outs and mounting holes for either wall or ceiling installation.

**Construction:** All metal parts are die formed from heavy gauge cold rolled steel. Exterior finish high quality white enamel.

**Diffuser:** One piece .125 smooth opal acrylic for a fully luminous light source.

**Wiring:** Circleline ballast are ETL-CBM, Class P 120 volt. HPF Standard on 22-32 and 32-40 watt units. All PL ballast normal power factor.

**Approval:** All units are Underwriter's Laboratories (UL) approved.

## Ordering Information

Catalog #	Lamp	Size
<b>PL WATT SAVERS</b>		
<b>7102/PL7</b>	<b>1-PL7</b>	<b>12"</b>
<b>7102/PL9</b>	<b>1-PL9</b>	<b>12"</b>
<b>7102/PL13</b>	<b>1-PL13</b>	<b>12"</b>
<b>7102/2PL7</b>	<b>2-PL7</b>	<b>12"</b>
<b>7102/2PL9</b>	<b>2-PL9</b>	<b>12"</b>
<b>7102/2PL13</b>	<b>2-PL13</b>	<b>12"</b>
<b>7103/2PL7</b>	<b>2-PL7</b>	<b>15"</b>
<b>7103/2PL9</b>	<b>2-PL9</b>	<b>15"</b>
<b>7103/PL13</b>	<b>1-PL13</b>	<b>15"</b>
<b>7103/2PL13</b>	<b>2-PL13</b>	<b>15"</b>
<b>7103/3PL13</b>	<b>3-PL13</b>	<b>15"</b>
<b>7104/3PL13</b>	<b>3-PL13</b>	<b>20"</b>
<b>7103/4PL13</b>	<b>4-PL13</b>	<b>20"</b>

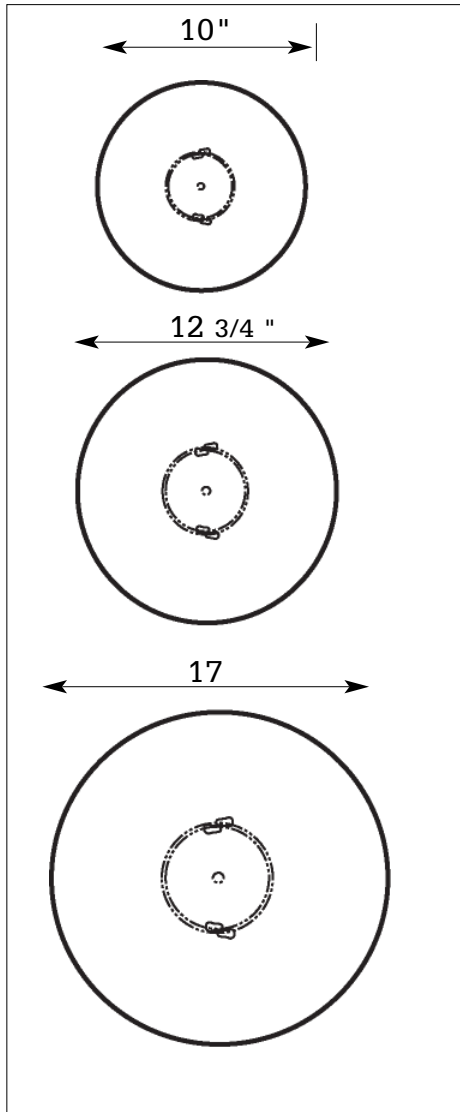
*Available with Black Base.  
Add suffix **BL** to catalog number.*

**Photometrics:** Photometric Information available upon request.



# 700 SERIES

## Installation Data



NEW ENGLAND  
**LIGHTING**  
INCORPORATED