

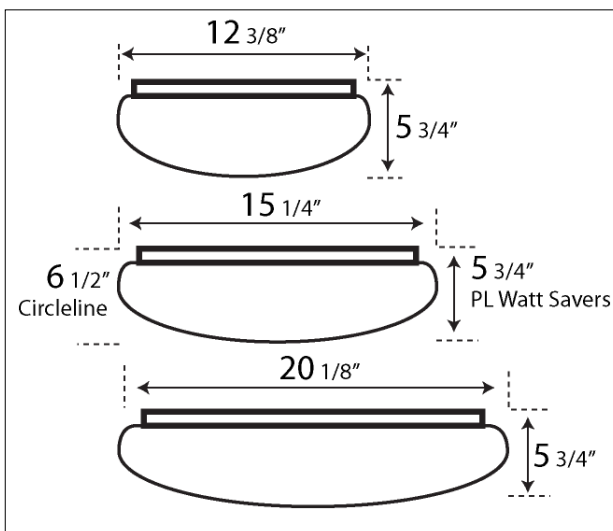
700E ELECTRONIC BALLAST

This mushroom shaped opal acrylic diffuser represents the newest style in contemporary lighting design. Shadow free illumination provides the light of both circleline and miniature twin tube lamps.

A very distinctive yet functional lighting source for both residential and commercial applications.



Dimensional Data:



Specifications

Mounting: Back Plate provided with adequate knock-outs and mounting holes for either wall or ceiling installation.

Construction: All metal parts are die formed from heavy gauge cold rolled steel. Exterior finish high quality white enamel.

Diffuser: One piece .125 smooth opal acrylic for a fully luminous light source.

Wiring: Circleline ballast are ETL-CBM, Class P 120 volt. HPF Standard on 22-32 and 32-40 watt units. All PL ballast normal power factor. High power factor ballast available upon request.

Approval: All units are Underwriter's Laboratories (UL) approved.

Ordering Information

Catalog #	Lamp	Size	Catalog #	Lamp	Size
CIRCLELINE			MINIATURE QUAD TUBES		
7102EB	1-22w	12"	7102/PL7EBO	1-7w	12"
7103EB	1-32w	15"	7102/PL13EBO	1-13w	12"
7105EB	1-22w, 1-32w	15"	7103/2PL13EBO	2-13w	15"
7104EB	1-40w	20"	7103/3PL13EBO	3-13w	15"
7107EB	1-32W, 1-40w	20"	7103/2PL18EBO	2-18w	15"
			7103/2PL26EBO	2-26w	15"
			7104/3PL13EBO	3-13w	20"
			7104/3PL18EBO	3-18w	20"
			7104/3PL26EBO	3-26w	20"

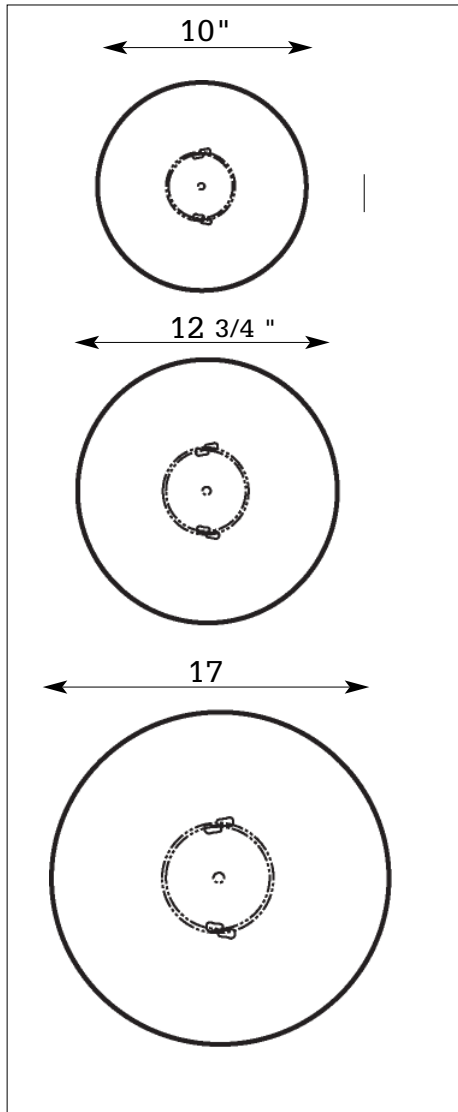
*Available with Black Base. Add suffix **BL** to catalog number.*

Photometrics: Photometric Information available upon request.



700E ELECTRONIC BALLAST

Installation Data



NEW ENGLAND
LIGHTING
INCORPORATED