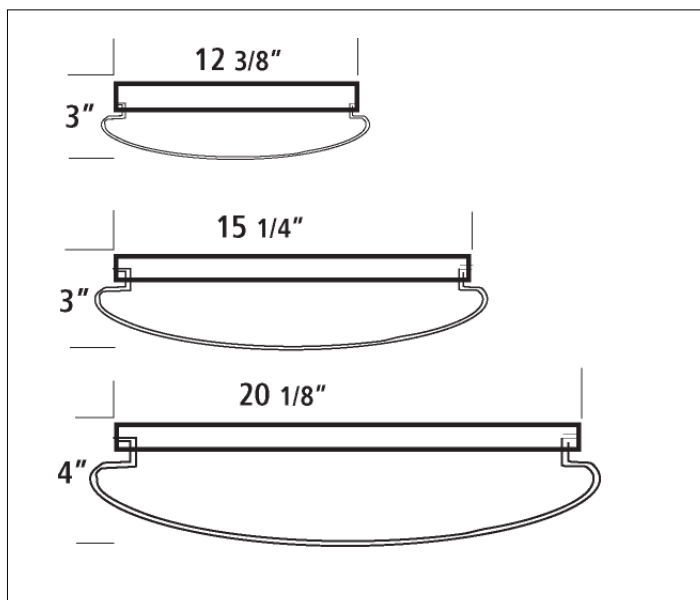


800 SERIES

A new sleek opal acrylic shallow profile square with soft curvatures evenly distributes the light of both circleline and miniature twin tube lamps.



Dimensional Data



Specifications

Mounting: Back Plate provided with adequate knockouts and mounting holes for either wall or ceiling installation.

Construction: All metal parts are die formed from heavy gauge cold rolled steel. Exterior finish high quality white enamel.

Diffuser: One piece .125 smooth opal acrylic for a fully luminous light source.

Wiring: All PL ballast normal power factor. High power factor ballast available upon request.

Approval: All units are Underwriter's Laboratories (UL) approved.

Ordering Information

Catalog #	Lamp	Size
PL WATT SAVERS		
8102/PL7	1-PL7	12" x 12"
8102/PL9	1-PL9	12" x 12"
8102/PL13	1-PL13	12" x 12"
8102/2PL7	2-PL7	12" x 12"
8102/2PL9	2-PL9	12" x 12"
8102/2PL13	2-PL13	12" x 12"
8103/2PL7	2-PL7	15" x 15"
8103/2PL9	2-PL9	15" x 15"
8103/PL13	1-PL13	15" x 15"
8103/2PL13	2-PL13	15" x 15"
8103/3PL13	3-PL13	15" x 15"
8104/3PL13	3-PL13	20" x 20"

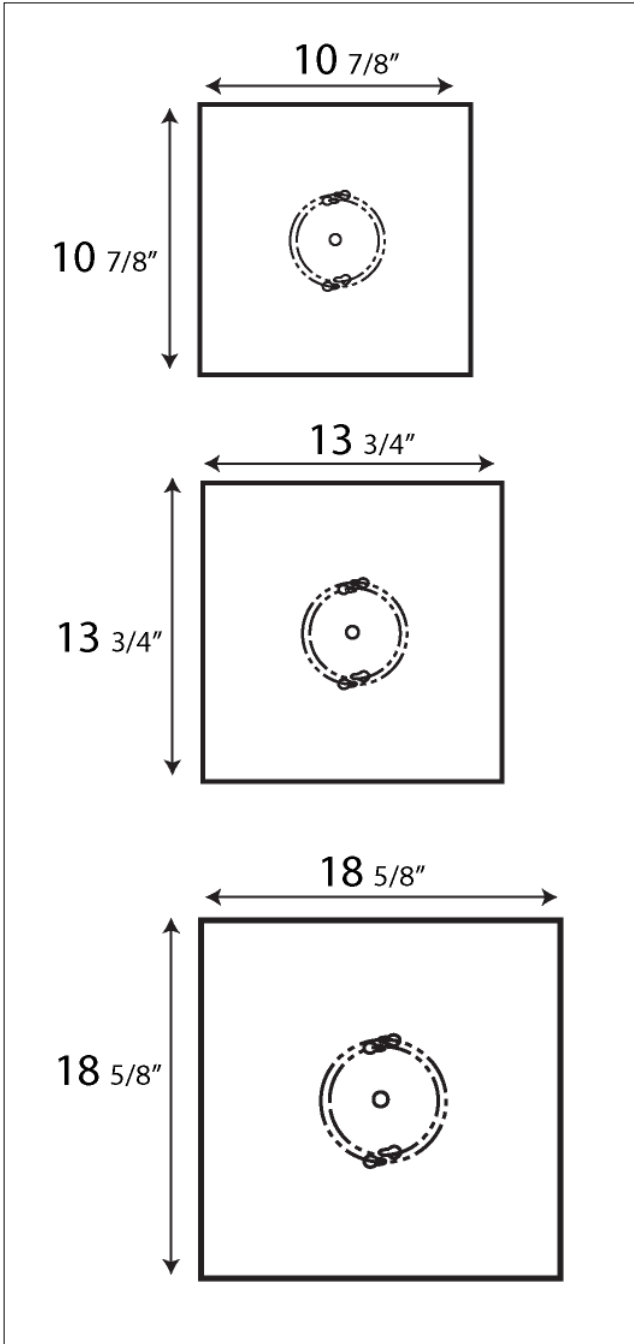
Available with Black Base. Add suffix BL to catalog number.

Photometrics: Photometric Information available upon request.



800 SERIES

Installation Data



NEW ENGLAND
LIGHTING
INCORPORATED