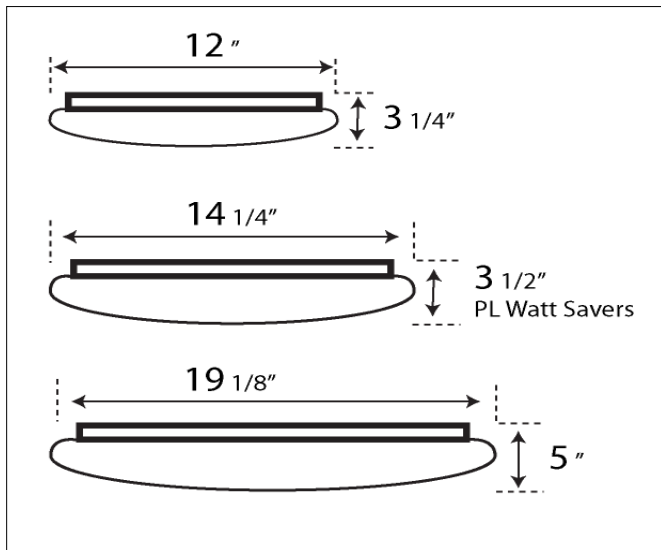


# 900 SERIES

A sleek new contemporary shallow cloud of light meets today's most demanding lighting designs. Softly contoured opal acrylic diffuser evenly distributes both circleline and miniature twin tube lamps.



## Dimensional Data



## Specifications

**Mounting:** Back Plate provided with adequate knockouts and mounting holes for either wall or ceiling installation.

**Construction:** All metal parts are die formed from heavy gauge cold rolled steel. Exterior finish high quality white enamel.

**Diffuser:** One piece .125 smooth opal acrylic for a fully luminous light source.

**Wiring:** All PL ballast normal power factor. High power factor ballast available upon request.

**Approval:** All units are Underwriter's Laboratories (UL) approved.

## Ordering Information

Catalog #	Lamp	Size
<b>PL WATT SAVERS</b>		
<b>9102/PL7</b>	<b>1-PL7</b>	<b>12"</b>
<b>9102/PL9</b>	<b>1-PL9</b>	<b>12"</b>
<b>9102/PL13</b>	<b>1-PL13</b>	<b>12"</b>
<b>9102/2PL7</b>	<b>2-PL7</b>	<b>12"</b>
<b>9102/2PL9</b>	<b>2-PL9</b>	<b>12"</b>
<b>9103/2PL13</b>	<b>2-PL13</b>	<b>14"</b>
<b>9103/2PL7</b>	<b>2-PL7</b>	<b>14"</b>
<b>9103/2PL9</b>	<b>2-PL9</b>	<b>14"</b>
<b>9103/PL13</b>	<b>1-PL13</b>	<b>14"</b>
<b>9103/2PL13</b>	<b>2-PL13</b>	<b>14"</b>
<b>9103/3PL13</b>	<b>3-PL13</b>	<b>14"</b>
<b>9104/3PL13</b>	<b>3-PL13</b>	<b>19"</b>

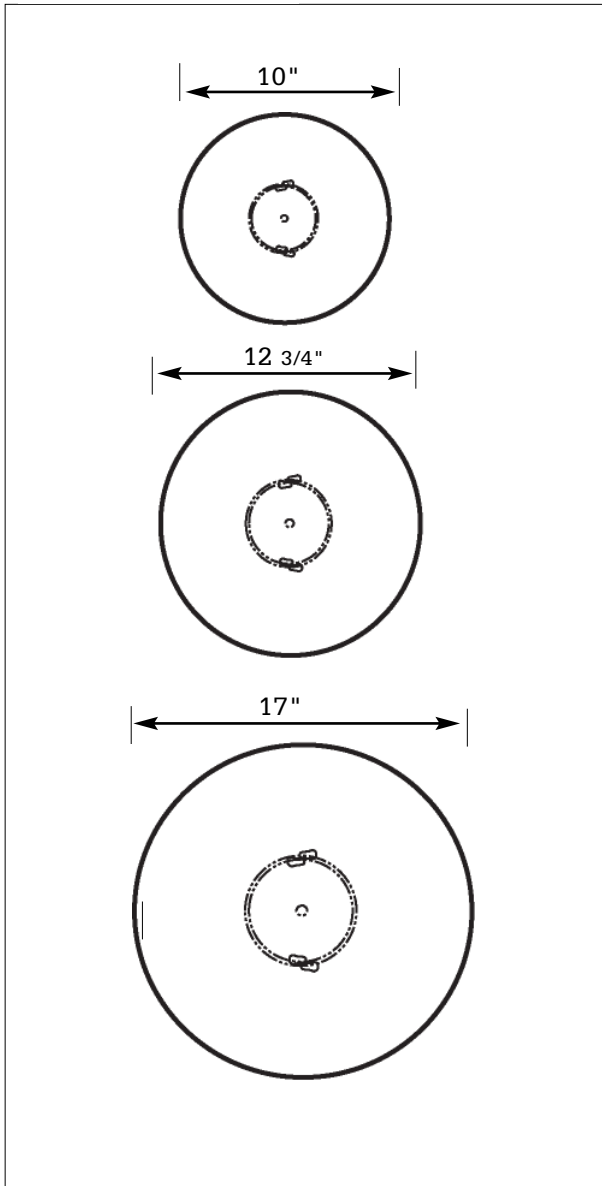
*Available with Black Base. Add suffix **BL** to catalog number.*

**Photometrics:** Photometric Information available upon request.



# 900 SERIES

## Installation Data



NEW ENGLAND  
**LIGHTING**  
INCORPORATED