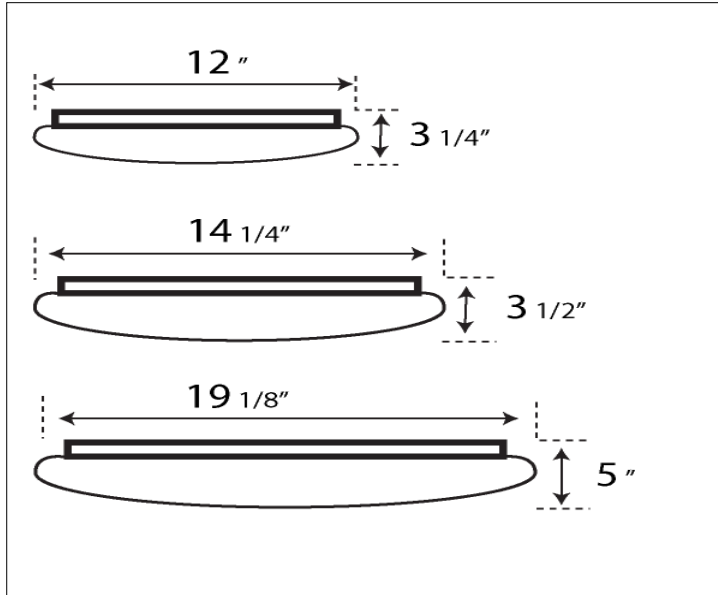


900E ELECTRONIC BALLAST SERIES

A sleek new contemporary shallow cloud of light meets today's most demanding lighting designs. Softly contoured opal acrylic diffuser evenly distributes both circleline and miniature twin tube lamps.



Dimensional Data



Specifications

Mounting: Back Plate provided with adequate knockouts and mounting holes for either wall or ceiling installation.

Construction: All metal parts are die formed from heavy gauge cold rolled steel. Exterior finish high quality white enamel.

Diffuser: One piece .125 smooth opal acrylic for a fully luminous light source.

Wiring: Circleline ballast are ETL-CBM, Class P 120 volt. HPF Standard on 22-32 and 32-40 watt units. All PL ballast normal power factor. High power factor ballast available upon request.

Approval: All units are Underwriter's Laboratories (UL) approved.

Ordering Information

Catalog #	Lamp	Size	Catalog #	Lamp	Size
CIRCLELINE			MINIATURE QUAD TUBES		
9102EB	1-22w	12"	9102/PL13EBO	1-13w	12"
9103EB	1-32w	14"	9102/2PL13EBO	2-13w	12"
9105EB	1-22w,1-32w	14"	9103/2PL13EBO	2-13w	14"
9104EB	1-40w	19"	9103/3PL13EBO	3-13w	14"
9107EB	1-32w, 1-40w	19"	9103/2PL18EBO	2-18w	14"
			9103/2PL26EBO	2-26w	14"
			9104/3PL13EBO	3-13w	19"
			9104/3PL18EBO	3-18w	19"
			9104/3PL26EBO	3-26w	19"

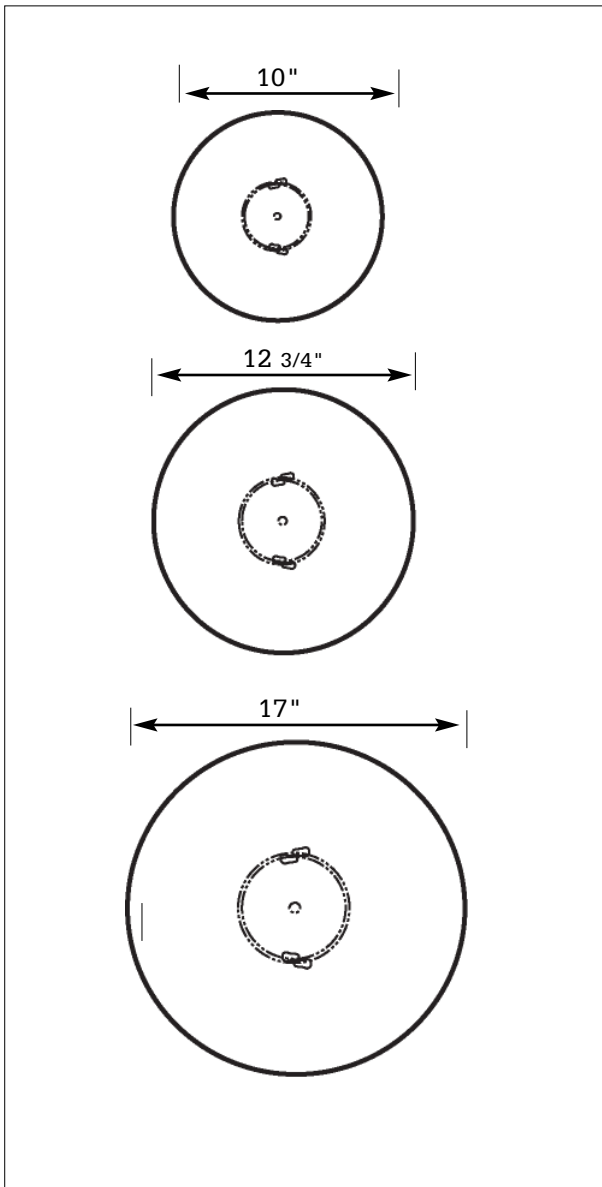
*Available with Black Base. Add suffix **BL** to catalog number.*

NEW ENGLAND

 INCORPORATED

900E ELECTRONIC BALLAST SERIES

Installation Data



NEW ENGLAND
LIGHTING
INCORPORATED