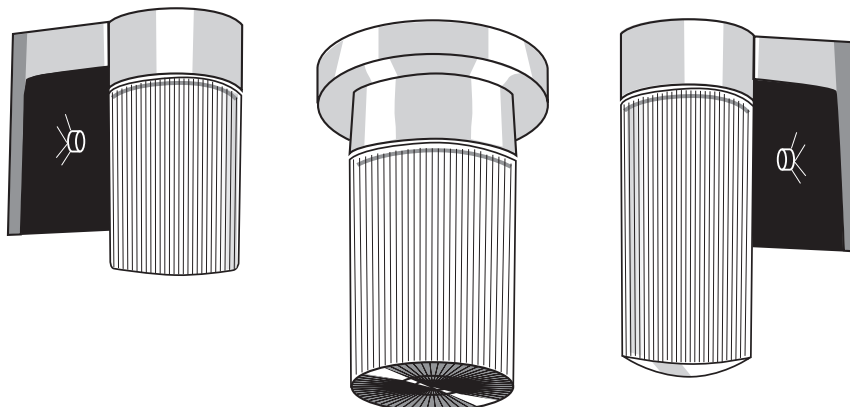


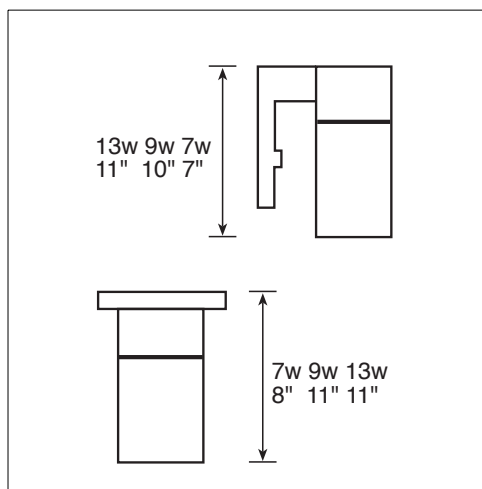
C SERIES

COMPACT FLUORESCENT

Satin finished cast aluminum, ceiling and wall mounted luminaires featuring miniature twin tubes. Screw type prismatic or opal polycarbonate allows for even light distribution plus maximum security. Ideal lighting source for rough usage high risk areas.



Dimensional Data



Specifications

Mounting: Units provided with adequate mounting hardware for ceiling or wall mounting.

Construction: Cast aluminum for maximum strength and corrosion resistance. Satin aluminum finish standard.

Diffuser: Prismatic or opal polycarbonate.

Wiring: 120v normal power factor

Approval: All units are Underwriter's Laboratories (UL) approved.

Ordering Information

Catalog #				Catalog #			
PRISMATIC	OPAL	LAMP	SIZE	PRISMATIC	OPAL	LAMP	SIZE
Wall				Ceiling			
WAP-7	WAW-7	PL7	7"	CAP-7	CAW-7	PL7	8"
WAP-9	WAW-9	PL9	10"	CAP-9	CAW-9	PL9	11"
WAP-13	WAW-13	PL13	10"	CAP-13	CAW-13	PL13	11"

Photometrics

Photometric Information available upon request.

Options and Accessories

HC High Power Factor
 TP Tamperproof screws for diffuser
 PC Photo Cell

NEW ENGLAND
LIGHTING
 INCORPORATED

