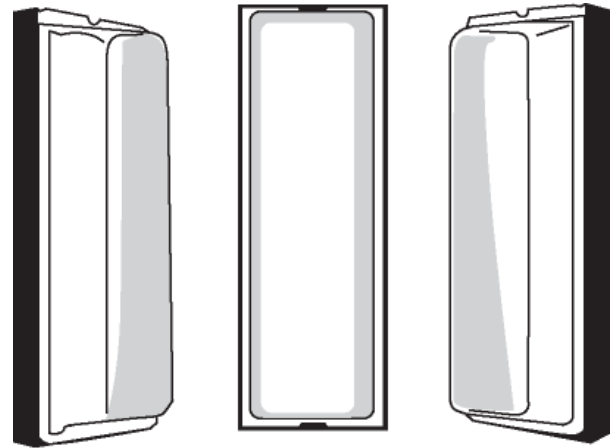
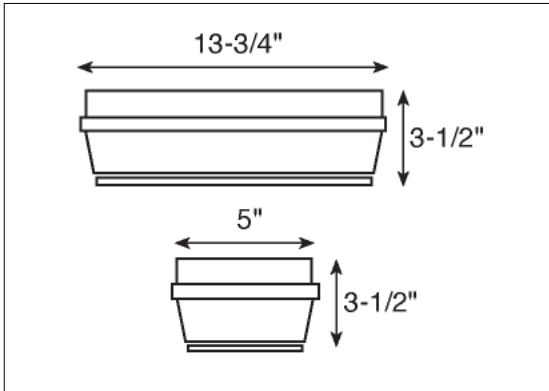


E SERIES

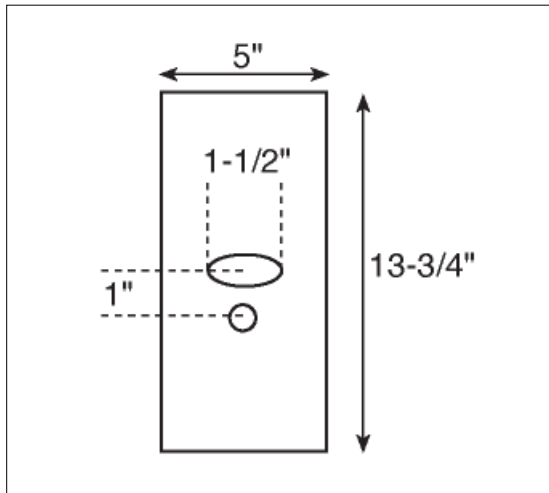
A wall mounted, energy efficient luminaire using either F8T5 or miniature twin tubes lamp with untold versatility. Either prismatic or opal acrylic diffuser enhance light source to harmonize with any decor. Ideal accent lighting for closets, corridors and hallways.



Dimensional Data



Installation Data



Options and Accessories

- HC** High Power Factor
- PL** Polycarbonate Lens
- SW** Turn Switch
- PSW** Pull Switch
- CO** Grounded Convenience Outlet

Specifications

Mounting: Black Plate provided with adequate knockouts and mounting holes for either wall or ceiling installation.

Construction: All metal parts are die formed of heavy gauge cold rolled steel. Housing electrostatically sprayed with high quality white enamel with minimum reflectance of 87%.

Diffuser: Prismatic or opal acrylic diffuser.

Wiring: 120v normal power factor.

Approval: All units are Underwriter's Laboratories (UL) approved.

Ordering Information

| Catalog # | Catalog # | Lamp |
|---------------|---------------|------------------|
| PRISMATIC | OPAL | |
| E1008 | E1018 | 1-F8T5 |
| E2008 | E2018 | 2-F8T5 |
| E1009 | E1019 | 1-9W(PL) |
| E2009 | E2019 | 2-9W(PL) |
| E10013 | E10113 | 1-13W(PL) |
| E20013 | E20113 | 2-13W(PL) |

Photometrics: Photometric Information available upon request.

