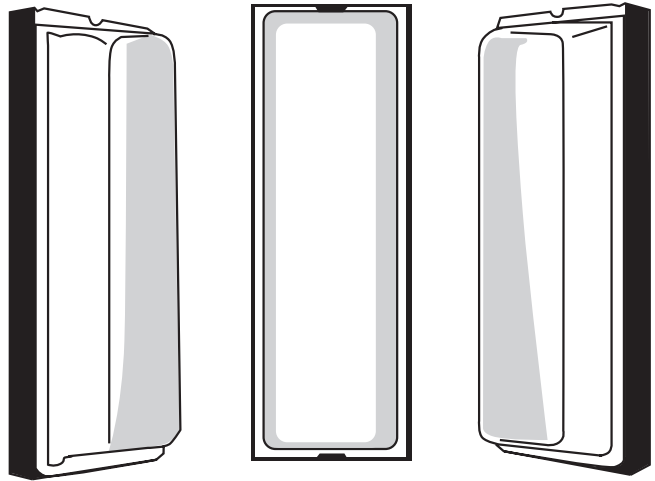
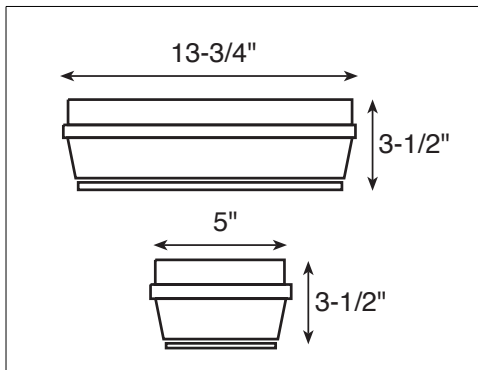


E SERIES

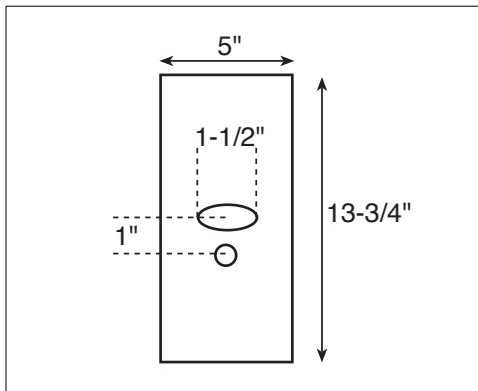
A wall mounted, energy efficient luminaire using either F8T5 or miniature twin tubes lamp with untold versatility. Either prismatic or opal acrylic diffuser enhance light source to harmonize with any decor. Ideal accent lighting for closets, corridors and hallways.



Dimensional Data



Installation Data



Photometrics

Photometric Information available upon request.

Specifications

Mounting: Back plate provided with adequate knockouts and mounting holes for either wall or ceiling installation.

Construction: All metal parts are die-formed of heavy gauge cold rolled steel. Housing electro-statically sprayed with high quality white enamel with minimum reflectance of 87%.

Diffuser: Either prismatic or opal acrylic diffuser.

Wiring: 120v normal power factor.

Approval: All units are Underwriter's Laboratories (UL) approved.

Ordering Information

Catalog

PRISMATIC DIFFUSER	OPAL DIFFUSER	LAMP
E 1008	E 1018	1-F8T5
E 2008	E 2018	2-F8T5
E 1009	E 1019	1-9W(PL)
E 2009	E 2019	2-9W(PL)
E 10013	E 10113	1-13W(PL)
E 20013	E 20113	2-13W(PL)

Options and Accessories

HC	High Power Factor (PL only)	PSW	Pull Switch
PL	Polycarbonate Lense	CO	Grounded Convenience Outlet
SW	Turn Switch		

NEW ENGLAND

 INCORPORATED

