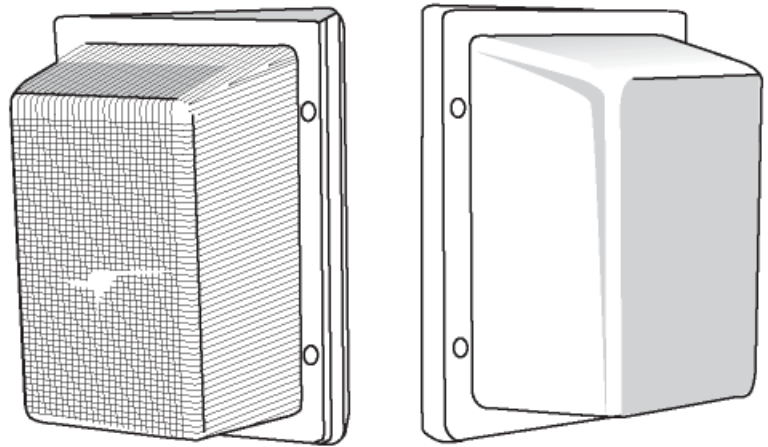
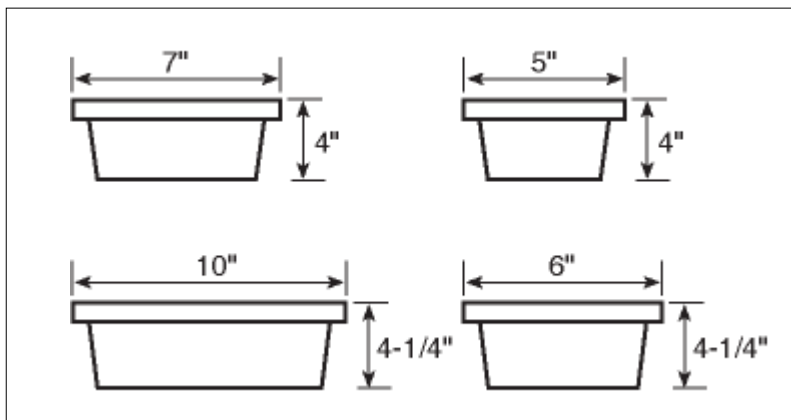


# PL SERIES COMPACT FLUORESCENT

Choose from either prismatic or opal diffuser in acrylic or impact resistant polycarbonate. Luminaire available for both indoor or outdoor use with complete tamper proof security. A highly efficient lighting source for hallways or any high risk area.



## Dimensional Data



## Ordering Information

| Catalog # | Catalog # | Lamp   | Size    |
|-----------|-----------|--------|---------|
| PRISMATIC | OPAL      |        |         |
| PL-7PA    | PL-7WA    | 1-PL7  | 5" x 7" |
| PL-27PA   | PL-27WA   | 2-PL7  | 6" x 9" |
| PL-9PA    | PL-9WA    | 1-PL9  | 6" x 9" |
| PL-13PA   | PL-13WA   | 1-PL13 | 6" x 9" |
| PL-213PA  | PL-213WA  | 2-PL13 | 6" x 9" |
| PL-Q13PA  | PL-Q13WA  | 13QUAD | 6" x 9" |
| PL-Q26PA  | PL-Q26WA  | 26QUAD | 6" x 9" |

## Specifications

**Mounting:** Back plate provided with adequate knockouts and mounting holes for either wall or ceiling installation.

**Construction:** All metal parts are die formed of heavy gauge cold rolled steel. Housing electrostatically sprayed with high quality white enamel with minimum reflectance of 87%.

**Diffuser:** Either prismatic or opal diffuser.

**Wiring:** 120v normal power factor.

**Approval:** All units are Underwriter's Laboratories (UL) approved.

## Options and Accessories

- EB** Electronic Ballast (PL13, Q13, Q26)
- HC** High Power Factor (PL only)
- \*PLA** Clear Polycarbonate Lens
- \*PLW** White Polycarbonate Lens

\*Tamper proof screws standard

**Photometrics:** Photometric Information available upon request.

