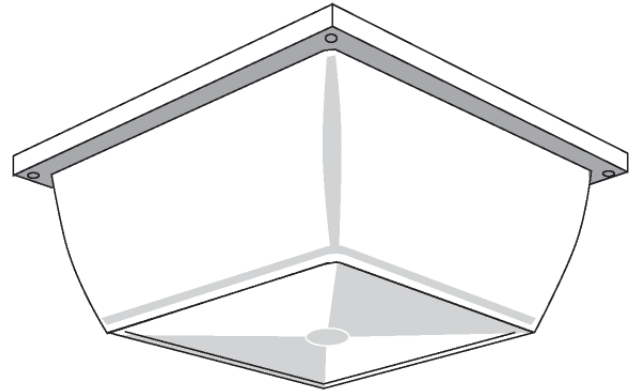
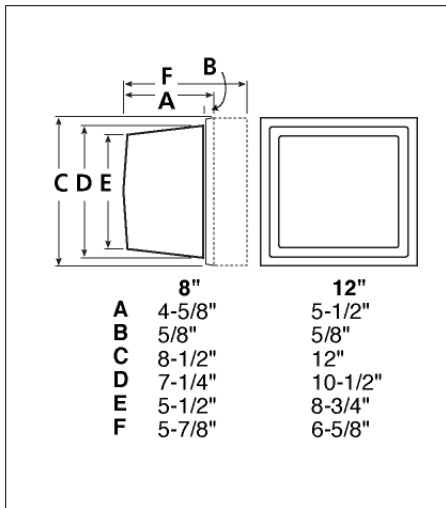


V SERIES

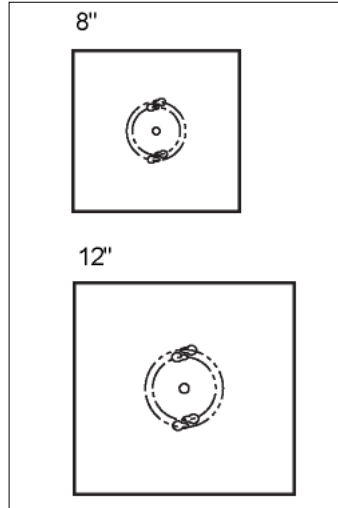
Ideal luminaire for rough or unsupervised areas either indoors or outside. Choose from two sizes with either circleline or miniature twin tubes



Dimensional Data



Installation Data



Specifications

Mounting: Black Plate provided with adequate knockouts and mounting holes for either wall or ceiling installation.

Construction: Fixture housing die-formed of heavy gauge cold rolled steel with electrostatically sprayed high quality white enamel.

Diffuser: Injected molded of unbreakable polycarbonate in either clear prismatic or smooth opal. Diffuser completely encloses fixture housing and is secured by vandal proof screws.

Wiring: Circleline ballast are ETL-CBM, Class P 120 volt. All PL ballast normal power factor. High power factor ballast available upon request.

Approval: All units are Underwriter's Laboratories (UL) approved.

Ordering Information

Catalog #	Catalog #	Lamp	Size
WHITE	PRISMATIC		
V819	V829	1-PL9w	8"
V8113	V8213	1-PL13w	8"
V8129	V8229	2-PL9w	8"
V81213	V82213	2-PL13w	8"
V12129	V12229	2-PL9w	12"
V121213	V122213	2-PL13w	12"
V121313	V1212213	2-PL13w	12"
V12122	V12222	1-22w	12"
V81Q18	V82Q18	1-18w Quad	8"
V81Q26EQ	V82Q26EQ	1-26wQuad	8"
V1212Q18EQ	V1222Q18EQ	2-18wQuad	12"
V1212Q26EQ	V1222Q26EQ	2-26wQuad	12"

Options and Accessories

- VS8 8" Steel adapter for conduit
- VS12 12" Steel adapter for conduit
- PC Photo Cell (VS8 OR VS12)
- WL Wet Location Label
- *EM Emergency
- *Needs VS8 or VS12

Photometrics: Photometric Information available upon request.

NEW ENGLAND

 INCORPORATED