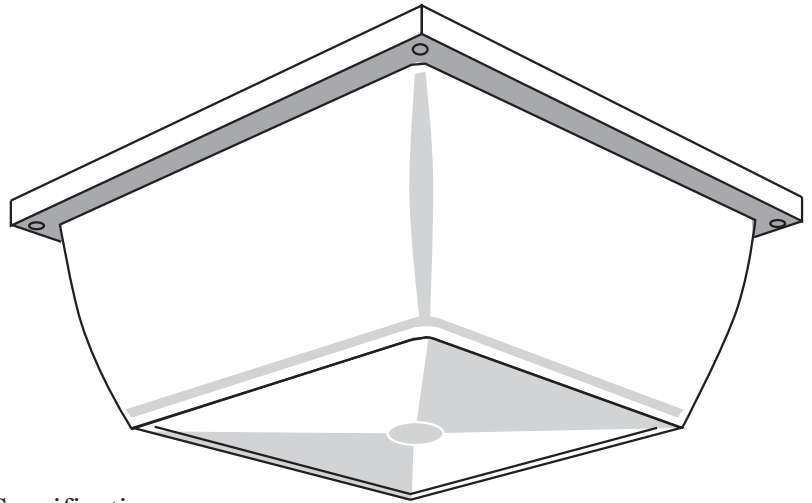


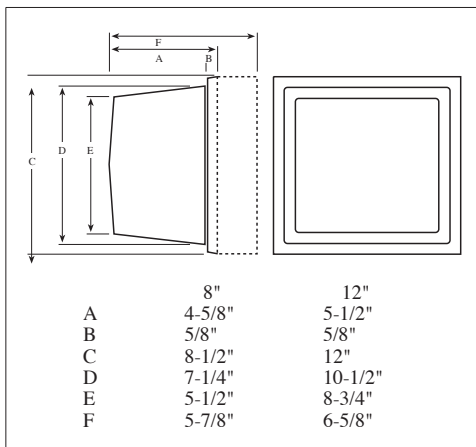
V SERIES

SQUARE VANDAL PROOFS

Ideal luminaire for rough or unsuperficial areas either indoors or outside. Choose from two sizes with either circleline or miniature twin tubes.



Dimensional Data



Specifications

Mounting: Black Plate provided with adequate knockouts and mounting holes for either wall or ceiling installation.

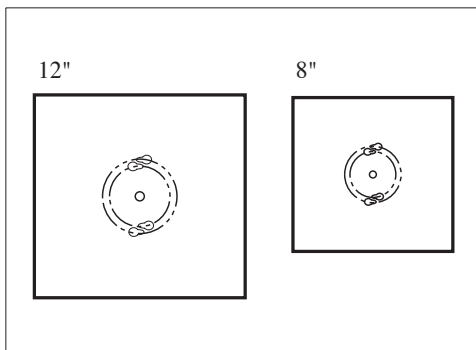
Construction: Fixture housing die-formed of heavy gauge cold roll steel with electro-statically sprayed high quality white enamel.

Diffuser: Injection molded of unbreakable polycarbonate in either clear prismatic or smooth opal. Diffuser completely encloses fixture housing and is secured by vandal proof screws.

Wiring: Circleline ballast are ETL-CBM, Class P 120 volt. All PL ballast normal power factor. High power factor ballast available upon request.

Approval: All units are Underwriter's Laboratories (UL) approved.

Installation Data



Ordering Information

WHITE	PRISMATIC	LAMP	SIZE
V819	V829	1-9w	8"
V8113	V8213	1-13w	8"
V8129	V8229	2-9w	8"
V81213	V82213	2-13w	8"
V12129	V12229	2-9w	12"
* V121213	V122213	2-13w	12"
V121313	V1212213	2-13w	12"
V12122	V12222	22w	12"
V81Q18	V82Q18	1-18w Quad	8"
V81Q26EBQ	V82Q26EBQ	1-26w Quad	8"
V1212Q18EBQ	V1222Q18EBQ	2-18w Quad	12"
V1212Q26EBQ	V1222Q26EBQ	2-26w Quad	12"

* Needs VS8 or VS12. Available—Electronic Ballast—EB

Options and Accessories

Steel adapter for conduit
 VS8 8"
 VS12 12"
 PC Photocell
 (VS8 or VS12)
 3-PL13*

Photometrics

Photometric Information available upon request.

*Needs VS8 or VS12

