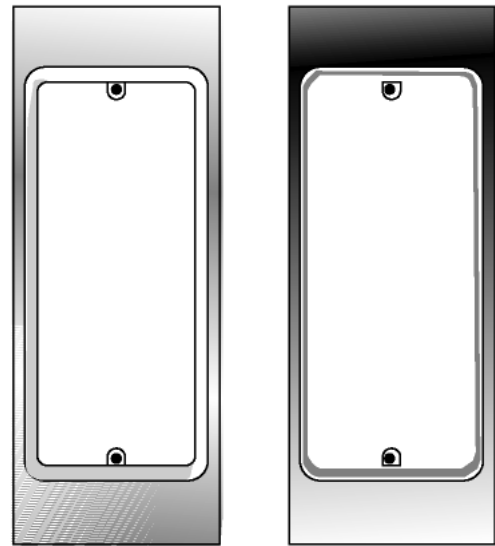
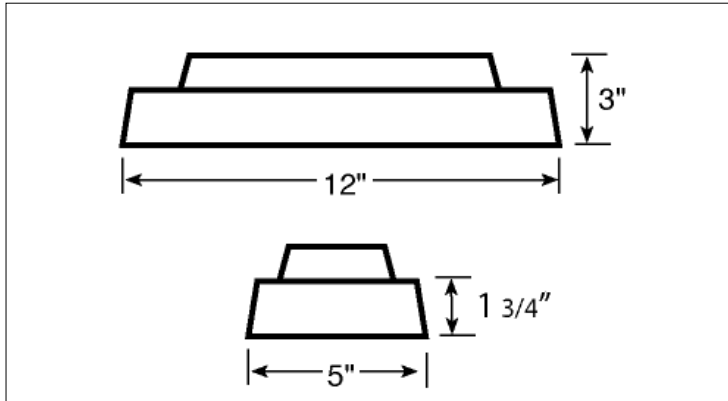


W SERIES

Highly durable wall or ceiling luminaire features efficient miniature twin tubes in one or two lamp combinations. A variety of architecturally pleasing finishes and lens options makes a versatile light source for many types of exterior and interior applications.

Dimensional Data



Ordering Information

Catalog #	Catalog #	Lamp
PRISMATIC	OPAL	
White Finish		
WA1109	WA1009	1-PL9
WA2109	WA2009	2-PL9
WA1113	WA1013	1-PL13
WA2113	WA2013	2-PL13
Dark Bronze Finish		
DBA1109	DBA1009	1-PL9
DBA2109	DBA2009	2-PL9
DBA1113	DBA1013	1-PL13
DBA2113	DBA2013	2-PL13

Specifications

Mounting: Units provided with adequate mounting hardware for either wall or ceiling mounting.

Construction: Rugged die-cast aluminum for maximum strength and corrosion resistance.

Diffuser: Gasketed prismatic or opal acrylic.

Wiring: 120v normal power factor.

Approval: All units are Underwriter's Laboratories (UL) approved.

Options and Accessories

HC	High Power Factor
PL	Polycarbonate Diffuser (tamperproof screws standard)
BL	Black Finish

Photometrics: Photometric Information available upon request.

NEW ENGLAND

 INCORPORATED