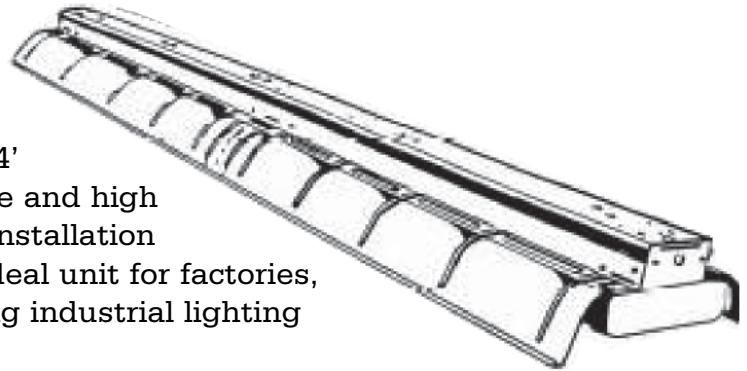
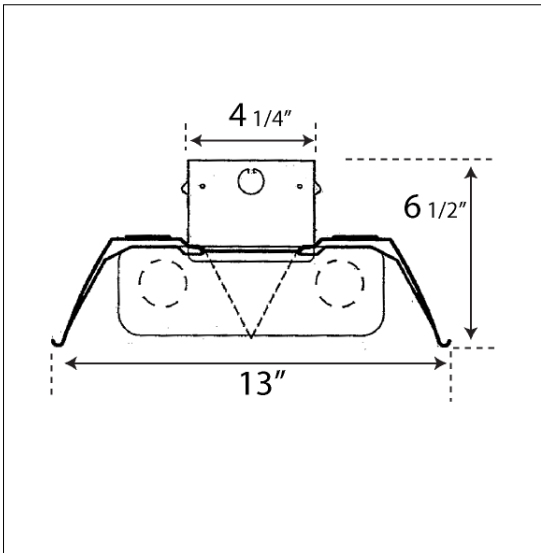


AP SERIES

Premium grade industrial with spring load turret lampholders available in 2, 3, or 4 lamp combinations. Luminaires come in 4' and 8' lengths featuring rapid start, slimline and high output lamps in either T12 or T8. Ease of installation combined with high quality make this an ideal unit for factories, warehouses and shops or any area requiring industrial lighting



Dimensional Data



Specifications

Mounting: Fixtures may be surface or pendant mounted individually or in continuous rows. When mounting in rows turn end cap ninety degrees for joiner strap.

Construction: Housing are die-formed of heavy gauge steel designed for maximum strength and uniformity. Reflectors are die-embossed for rigidity with 15% up-light component. Two reflectors per 8' section for ease of installation.

Finish: All metal parts are thoroughly cleaned and treated to prevent rust and deterioration with a phosphate coating. All surfaces are electrostatically sprayed with high quality white enamel to provide a minimum reflectance of 87%.

Wiring: All ballast 120 volt.

Approval: All units are Underwriters' Laboratories (UL) approved.

Ordering Information

Catalog #	Lamp	Catalog #	Lamp	Length
ELECTRONIC T12		ELECTRON OCTRON T8		
AP240EB	2-F40T12	AP240EBO	2-F32T8	4'
AP340EB	3-F40T12	AP340EBO	3-F32T8	4'
AP240TEB	4-F40T12	AP240TEBO	4-F32T8	8'
AP340TEB	6-F40T12	AP340TEBO	6-F32T8	8'
AP296EB	2-F96T12	AP296EBO	2-F96T8	8'
AP396EB	3-F96T12	AP396EBO	3-F96T8	8'
AP248HOEB	2-F48T12HO	AP248HOEBO	2-F48T8HO	4'
AP348HOEB	3-F48T12HO	AP296HOEBO	4-F96T8HO	8'
AP296HOEB	2-F96T12HO	AP396HOEBO	3-F96T8HO	8'
AP396HOEB	3-F96T12HO			8'

Consult factory on 4 light widths

Photometrics: Photometric Information available upon request.



AP SERIES

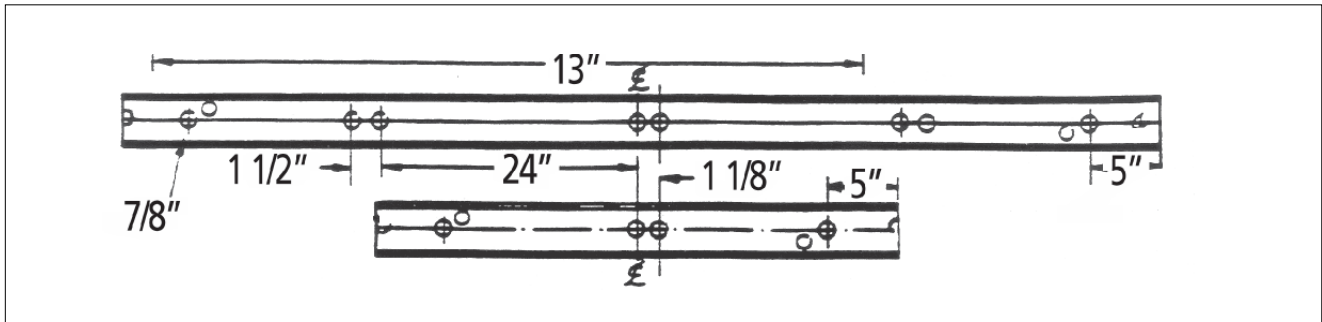
Options and Accessories Add Suffix

EB	Electronic T12
*CW	Low Temperature (0) Ballast
*DIM	Dimming Ballast
EM	Emergency Ballast (1 lamp)
•EM/2	Emergency Ballast (2 lamp)
RFI	Radio Interference Filter
FS	External Fuse and Holder
CORD-3W	6' 3 Wire Cord and Plug
FEC	Full Metal End Cap
VC	Parabolic Center V Channel

*Available Electronic T12 or Electronic T8.

• Note: Consult Factory on Compatibility EM/2 Option.

Installation Data



NEW ENGLAND
LIGHTING
INCORPORATED