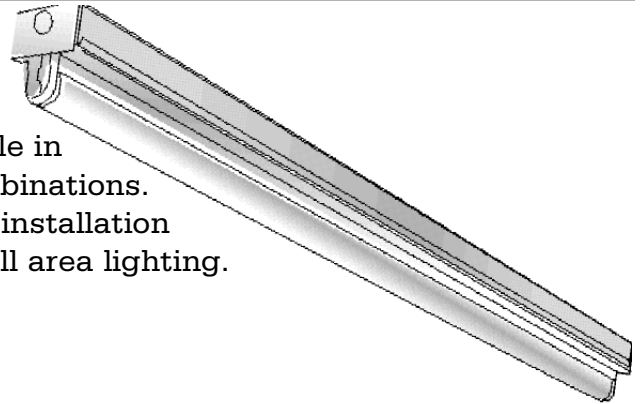
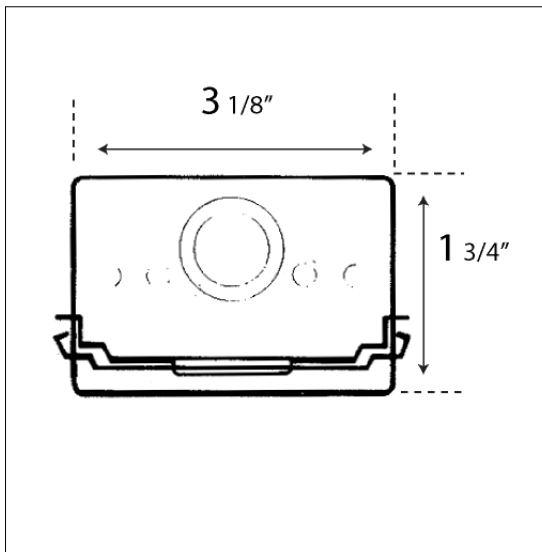


FLUORESCENT CHANNEL SERIES

Standard grade open fluorescent channel available in lengths from 15" to 192" with multiple lamp combinations. Multiple reflector choices combined with ease of installation make these units ideal for cove, valance and small area lighting.



Dimensional Data



Specifications

Mounting: Fixtures may be surface or pendant mounted individually or in continuous rows. When mounting in rows turn end cap ninety degrees for joiner strap.

Construction: Housing are die-formed of heavy gauge steel designed for maximum strength and uniformity. Wiring components are mounted in the one piece back housing, permitting the removal of the cover for maintenance or cleaning without disturbing any of the inner wiring.

Finish: All metal parts are thoroughly cleaned and treated to prevent rust and deterioration with a phosphate coating. All surfaces are electrostatically sprayed with high quality white enamel to provide a minimum reflectance of 87%.

Wiring: All ballast 120 volt.

Approval: All units are Underwriters' Laboratories (UL) approved.

Ordering Information

Catalog #	Lamp	Length	Catalog #	Lamp	Length
ELECTRONIC T12			ELECTRON OCTRON T8		
S114	F14T12	15"	S120EBO	F17T8	24"
S115	F15T12	18"	S130EBO	F25T8	36"
S120	F20T12	24"	S140EBO	F32T8	48"
S130	F30T12	36"	S130TEBO	2/F25T8	72"
S140EB	F40T12	48"	S140TEBO	2/F32T8	96"
S130TEB	2/F30T12	72"	S140T/140EBO	3/F32T8	144"
S140TEB	2/F40T12	96"	S140T/140TEBO	4/F32T8	192"
PREHEAT					
S115P	F15T8	18"			
S120P	F20T12	24"			

Photometrics: Photometric Information available upon request.

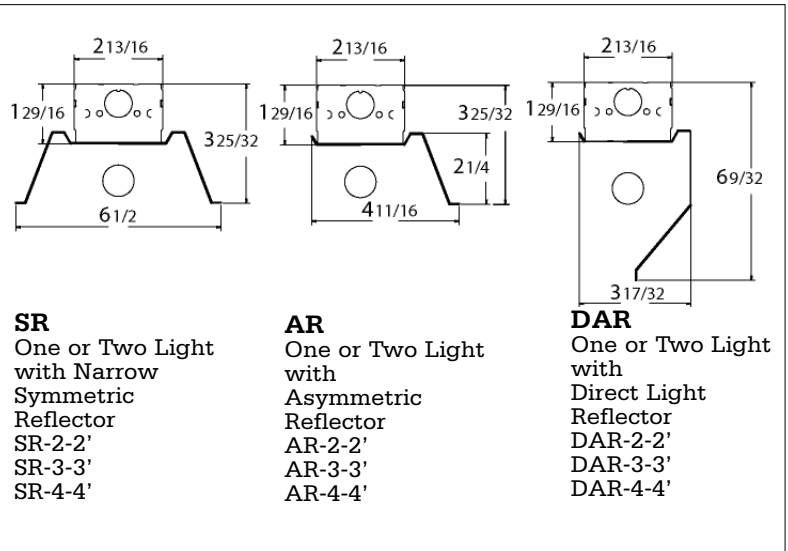


FLUORESCENT CHANNEL SERIES

Options and Accessories Add Suffix

EB	Electronic T12
*CW	Low Temperature (0) Ballast
*DIM	Dimming Ballast
EM	Emergency Ballast (1 lamp)
•EM/2	Emergency Ballast (2 lamp)
RFI	Radio Interference Filter
FS	External Fuse and Holder
CORD-3W	6' 3 Wire Cord and Plug
FEC	Full Metal End Cap
VC	Parabolic Center V Channel

- * Available Electronic T12 or Electronic T8.
- Note: Consult Factory on Compatibility EM/2 Option.



Installation Data

