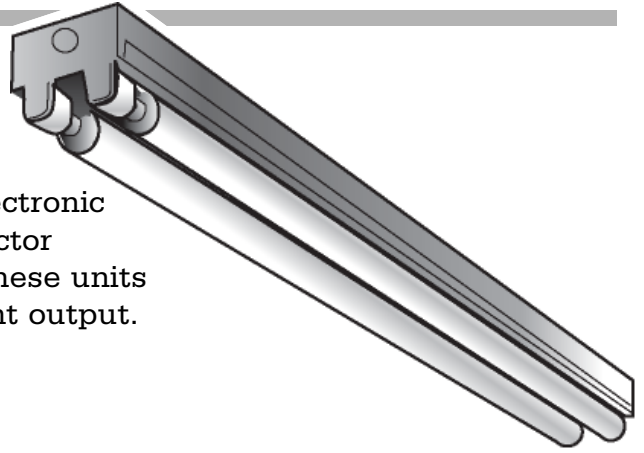
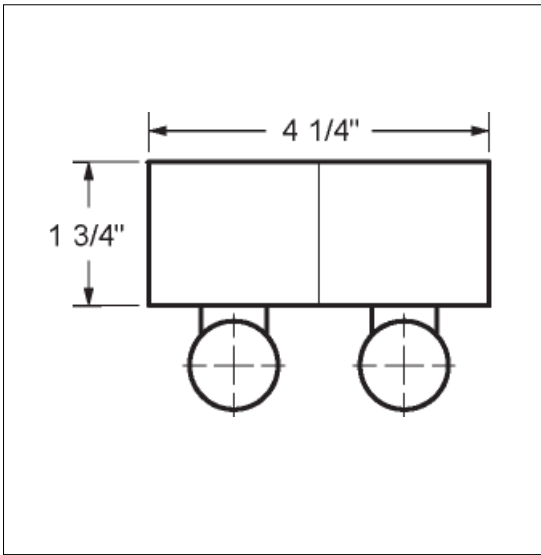


P SERIES

Specification grade open channel available in one or two lamp combinations. Luminaires come in 2', 3', 4', 6' and 8' lengths 800MA lamps in either electronic T12 or electronic T8 configurations. Multiple reflector choices combined with ease of installation make these units for industrial areas that require above average light output.



Dimensional Data



Specifications

Mounting: Fixtures may be surface or pendant mounted individually or in continuous rows. When mounting in rows turn end cap ninety degrees for joiner strap.

Construction: Housing are die-formed of heavy gauge steel designed for maximum strength and uniformity. Wiring components are mounted in the one piece back housing, permitting the removal of the cover for maintenance or cleaning without disturbing any of the inner wiring.

Finish: All metal parts are thoroughly cleaned and treated to prevent rust and deterioration with a phosphate coating. All surfaces are electrostatically sprayed with high quality white enamel to provide a minimum reflectance of 87%.

Wiring: All ballast 120 volt.

Approval: All units are Underwriters' Laboratories (UL) approved.

Ordering Information

Catalog #	Lamp	Length
ELECTRONIC T12HO		
<i>1 Light</i>	<i>2 Light</i>	
P148HOEB	P248HOEB	F48T12HO 4'
P172HOEB	P272HOEB	F72T12HO 6'
P196HOEB	P296HOEB	F96T12HO 8'
ELECTRON OCTRON T8		
P196HOEBO	1-F96T8HO	8'
P296HOEBO	2-F96T8HO	8'
P196THOEBO	2-F96T8HO	16'
P172THOEBO	2-F72T8HO	12'
P196THOEBO	2-F96T8HO	16'

Photometrics:

Photometric Information available upon request.



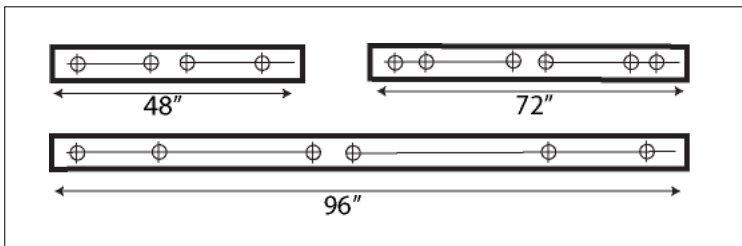
P SERIES

Options and Accessories *Add Suffix*

- EB Electronic T12
- EM Emergency Ballast (1 lamp)
- EM/2 Emergency Ballast (2 lamp)
- RFI Radio Interference Filter
- FS External Fuse and Holder
- CORD-3W 6' 3 Wire Cord and Plug
- REF Internal Polished Aluminum Reflector
- REFS Internal Specular Silver Reflector

•Note: Consult Factory on Compatibility EM/2 Option.

Installation Data



Reflector Data

