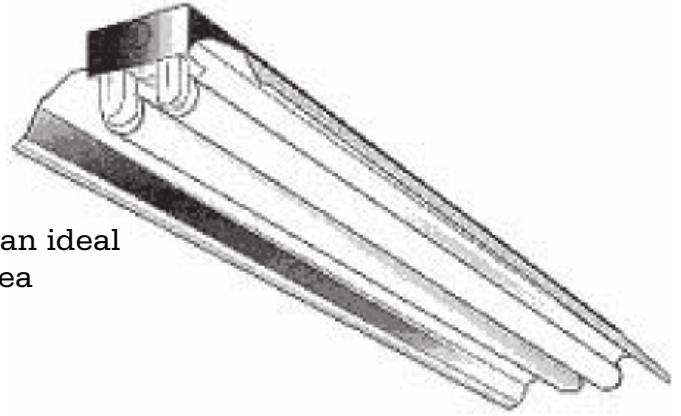
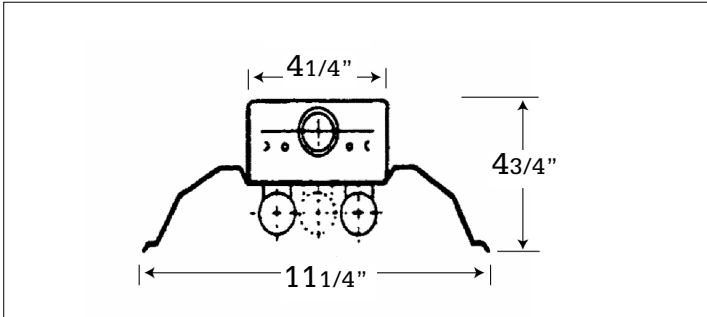


PR SERIES

Standard grade industrial available in one, two or four lamp combinations. Luminaires come in 2', 3', 4', 6' and 8' lengths featuring rapid start (T12 and T8) slimline, high output lamps. Ease of installation combined with high quality make this an ideal unit for factories, warehouses and shops or any area requiring industrial lighting.



Dimensional Data



Ordering Information

Catalog #	Lamps	Catalog #	Lamps	Lengths
ELECTRONIC T12		ELECTRONIC OCTRON T8		
1 Lamp (430MA)				
PR140EB	1-F40T12	PR140EBO	1-F32T8	4'
PR140TEB	2-F40T12	PR140TEBO	2-F32T8	8'
PR148HOEB	1-F48T12HO	PR148HOEBO	1-F48T8HO	4'
PR196HOEB	1-F96T12HO	PR196HOEBO	1-F96T8HO	8'
PR196HOEB	1-F96T12HO	PR196THOEBO	2-F96T8HO	8'
		PR196EBO	1-F96T8	8'
		PR140T/140EBO	3-F32T8	12'
PR196THOEBO	2-F96T12HO	PR140T/140TEBO	4-F32T8	16'
2 Lamp				
PR220	2-F20T12	PR220EBO	2-F17T8	2'
PR230EB	2-F30T12	PR230TEBO	2-F25T8	3'
PR240EB	2-F40T12	PR240EBO	2-F32T8	4'
PR240TEB	4-F40T12	PR240TEBO	4-F32T8	8'
PR296EB	2-F96T12	PR296EBO	2-F96T8	8'
PR248HOEB	2-F48T12HO	PR248HOEBO	2-F48T8HO	4'
PR296HOEB	2-F96T12HO	PR296HOEBO	2-F96T8HO	8'
4 Lamp				
PR440EB	4-F40T12	PR440EBO	4-F32T8	4'
PR496EB	4-F96T12	PR496EBO	4-F96T8	8'

Specifications

Mounting: Fixtures may be surface or pendant mounted individually or in continuous rows. When mounting in rows turn end cap ninety degrees for joiner strap.

Construction: Housings die-formed of heavy gauge steel designed for maximum strength and uniformity. Reflectors are die-embossed for rigidity. Two reflectors per 8' section for ease of installation.

Finish: All metal parts are thoroughly cleaned and treated to prevent rust and deterioration with a phosphate coating. Surfaces are then electrostatically sprayed with a high quality white enamel with a minimum reflectance of 87%.

Wiring: Standard ballast 120 volt.

Approval: All units are Underwriters' Laboratories (UL) approved.

Photometrics:

Photometric Information available upon request.



PR SERIES

Options and Accessories *Add Suffix*

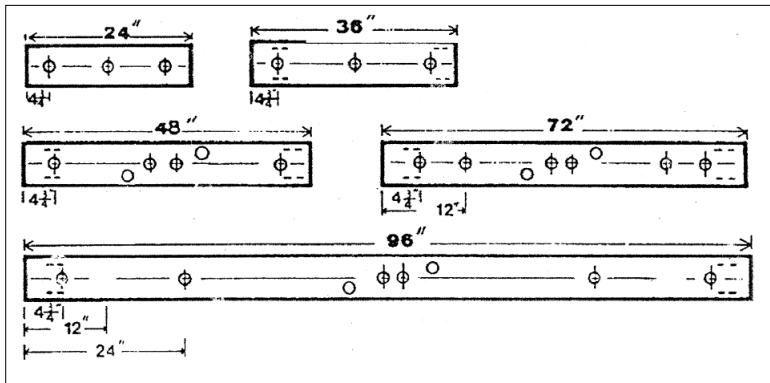
- 10 10% uplite component
- EB Electronic T12
- *CW (Note 1,2) Low Temperature (0) Ballast
- *DIM Dimming Ballast
- EM Emergency Ballast (1 lamp)
- EM/2 Emergency Ballast (2 lamp)
- RFI Radio Interference Filter
- FS External Fuse and Holder
- CORD-3W 6' 3 Wire Cord and Plug

* Available Magnetic T12 or Electronic T8.

note 1: Slimline Electronic T8 0 degrees Standard.

•Note: Consult Factory on Compatibility EM/2 Option.

Installation Data



NEW ENGLAND
LIGHTING
INCORPORATED