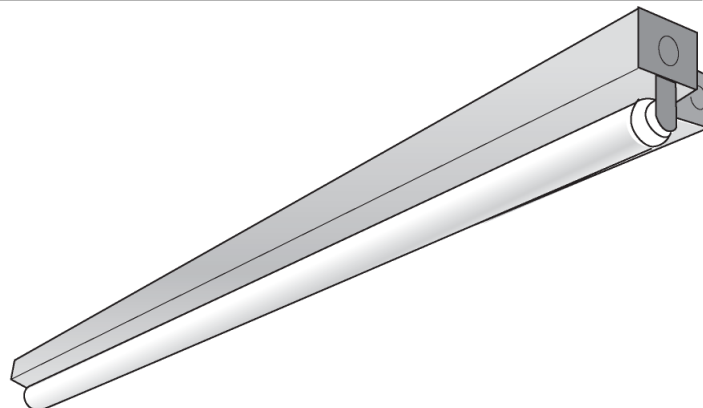
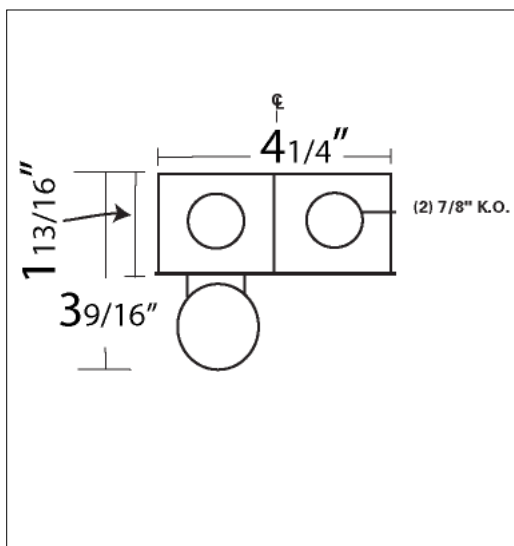


# STAGGERED STRIP ONE LAMP SERIES

Specially designed open strip channels with overlapping lamps to provide continuous uninterrupted illumination. Available in lengths from 18" to 96" and is ideal lighting for coves and valances.



## Dimensional Data



## Specifications

**Mounting:** Fixtures may be ceiling or wall mounted individually or in continuous rows. When mounting in rows, turn end cap ninety degrees for joiner strap.

**Construction:** Housing is die formed of heavy gauge steel designed for maximum strength and uniformity. Wiring components are mounted in the one piece back housing, permitting the removal of the cover for maintenance or cleaning without disturbing any of the inner wiring.

**Finish:** All metal parts are cleaned and treated to prevent rust with a phosphate coating applied automatically in a five stage process. All parts are electrostatically sprayed with high quality white enamel to provide a minimum reflectance of 87%.

**Wiring:** All ballast 120 volt.

**Approval:** All units are Underwriter's Laboratories (UL) approved.

## Ordering Information

<i>Catalog #</i>	<i>Lamp</i>	<i>Catalog #</i>	<i>Lamp</i>	<i>Length</i>
ELECTRONIC T12		ELECTRONIC OCTRON T8		
SM115STG	1-F15T12	SM115STGEBO	1-F13T8	18"
SM120STG	1-F20T12	SM120STGEBO	1-F17T8	24"
SM130STG	1-F30T12	SM130STGEBO	1-F25T8	36"
SM130TSTGEB	2-F30T12	SM130TSTGEBO	2-F25T8	69"
SM140STGEB	1-F40T12	SM140STGEBO	1-F32T8	48"
SM140TSTGEB	2-F40T12	SM140TSTGEBO	2-F32T8	93"

**Photometrics:** Photometric Information available upon request.



# STAGGERED STRIP ONE LAMP SERIES

## Options and Accessories *Add Suffix*

- \*DIM            Dimming Ballast
- EM            Emergency Ballast (1 lamp)
- EM/2        Emergency Ballast (2 lamp)
- RFI           Radio Interference Filter
- FS            External Fuse and Holder
- CORD-3W    6' 3 Wire Cord and Plug

\* Available Electronic T12 or Electronic T8

## Installation Data

