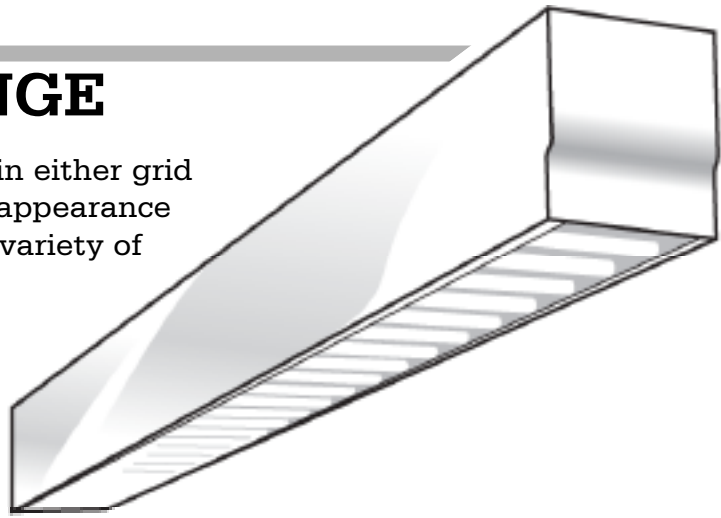
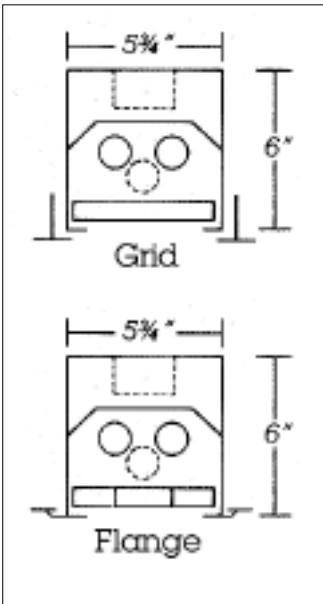


66 GRID AND FLANGE

A narrow recessed luminaire available in either grid or flange models to create that special appearance for the hard to solve problem areas. A variety of shielding options to match any decor requirements. An ideal compliment to hallways and special design requests.



Dimensional Data



Specifications

Mounting: Grid series to be installed in exposed, inverted "T" ceiling system. Flange may be installed individually or continuously in plaster, drywall or concealed spline tile ceilings. Each fixture is supported by level-lug system. End trims are screw-on type to allow for continuous mounting.

Construction: Fixture housings are die formed and welded of 20 gauge cold rolled steel to insure uniformity and dimensional stability.

Finish: All metal parts are thoroughly cleaned and treated to prevent rust and deterioration with a phosphate coating applied automatically in a five stage process. All surfaces are electrostatically sprayed with high quality white enamel to provide a minimum reflectance of 87%.

Wiring: All ballast 120 volt, 60 hertz.

Approval: All units are Underwriters' Laboratories (UL) approved.

Ordering Information

<i>Catalog #</i>	<i>Catalog #</i>	<i>Lamp</i>	<i>Length</i>
GRID	FLANGE		
ELECTRONIC T12			
G66-2-120AEB	F66-2-120AEB	1-F20T12	2'
G66-3-130AEB	F66-3-130AEB	1-F30T12	3'
G66-4-140AEB	F66-4-140AEB	1-F40T12	4'
G66-2-220AEB	F66-2-220AEB	2-F20T12	2'
G66-3-230AEB	F66-3-230AEB	2-F30T12	3'
G66-4-240AEB	F66-4-240AEB	2-F40T12	4'
ELECTRONIC OCTRON T8			
G66-2-120AEBO	F66-2-120AEBO	1-F17T8	2'
G66-3-130AEBO	F66-3-130AEBO	1-F25T8	3'
G66-4-140AEBO	F66-4-140AEBO	1-F32T8	4'
G66-2-220AEBO	F66-2-220AEBO	2-F17T8	2'
G66-3-230AEBO	F66-3-230AEBO	2-F25T8	3'
G66-4-240AEBO	F66-4-240AEBO	2-F32T8	4'



66 GRID AND FLANGE

Options and Accessories Add Suffix

Shielding Options

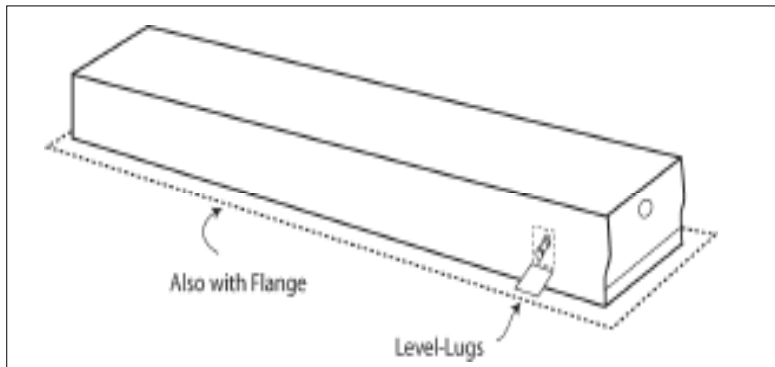
A125	Flat .125 Prismatic Acrylic
FOA	Flat .080 Opal Acrylic
PL	1/2 x 1/2 x 1/2 White Cubed Louver
CB	3/4 x 3/4 OC White Cross Baffle (Alum)
ALCB	1.2" x 2" Semi Specular Cross Baffle (Alum)
PAS	9/16 x 9/16 x 1/2 Specular Silver Parabolic Louver
PVS	1-1/2 x 1-1/2 x 1 Specular Silver Parabolic Louver
PVW	1-1/2 x 1-1/2 x 1 White Parabolic Louver
PAS34	3/4 x 3/4 x 1-1/2 Specular Silver Parabolic Louver

Ballast Options

DIM	Dimming Ballast
EM	Emergency Ballast (1 lamp)
EM/2	Emergency Ballast (2 lamp)
RFI	Radio Interference Filter
FS	External Fuse and Holder

Note: Consult Factory on
Compatibility EM/2 Option.

Installation Data



Photometrics

Photometric Information available upon
request.

