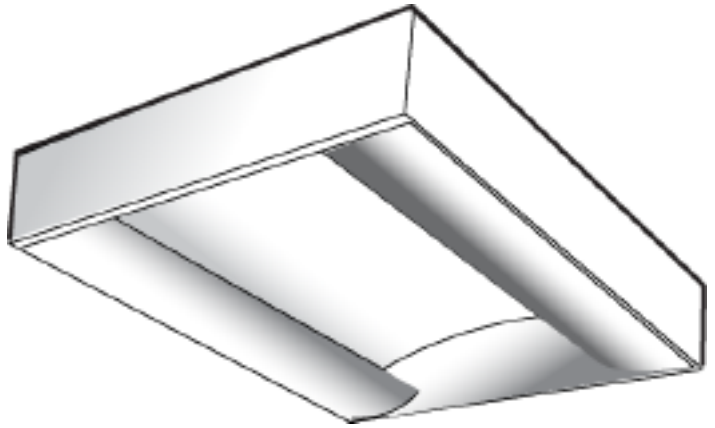
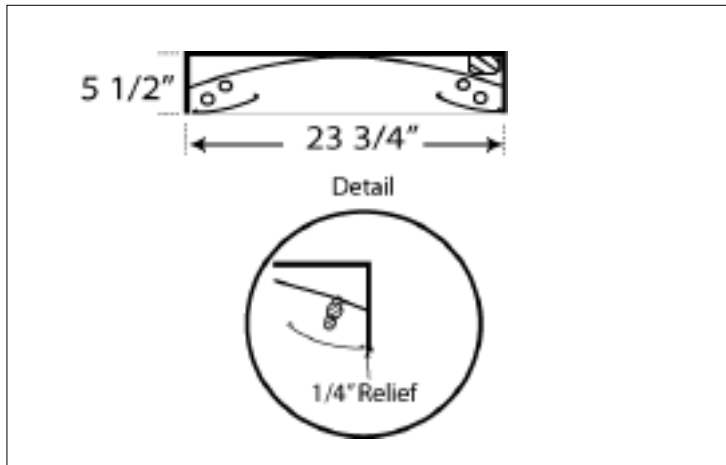


DPGS SIDE BASKET SERIES

Specification grade direct and indirect grid unit provides glare free illumination. Side-mounted perforated metal baskets project light to reflector for indirect lighting.



Dimensional Data



2' x 2' and 2' x 4' Recessed Direct Indirect SIDE BASKET

Specifications

Mounting: Units are designed to be installed into recessed inverted T-Bar ceilings. All units have wire hanger tabs for independent wire suspension.

Construction: Die formed and spot welded, heavy gauge cold rolled steel housing assembly.

Finish: All metal parts are high film white powder coated. Interior reflectors are low gloss high reflective finish for soft, uniform indirect light distribution.

Shielding: Snap-on white perforated metal basket with opal acrylic lens as inlay.

Wiring: Utilizes efficient T8 and T5 compact fluorescent lamps. Access plate provides easy access through top of fixture. Universal voltage is standard.

Approval: All units are (UL) listed.

Ordering Information

Catalog #	Lamp	Size
ELECTRONIC T5 & T8		
DPGS217UV	2-F17T8	2x2
DPGS224UV	2-40wBIAx	2x2
DPGS224T5HOV	2-F24T5HO	2x2
DPGS232UV	2-F32T8	2x4
DPGS428UV	4-F28T5	2x4
DPGS454T5HOV	4-F54T5HO	2x4

* Consult Factory for other configurations.

Accessories Add Suffix

*EM	Emergency Ballast 1Lamp.
*EM/2	Emergency Ballast 2Lamp.
DIM	Dimming Ballast.
QD	Quick Disconnect

* Supply voltage required.

Photometrics

Photometric Information available upon request.

