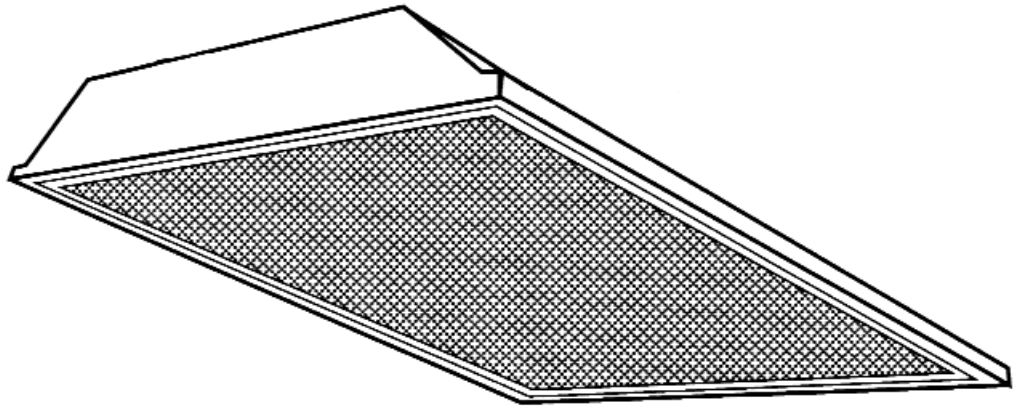


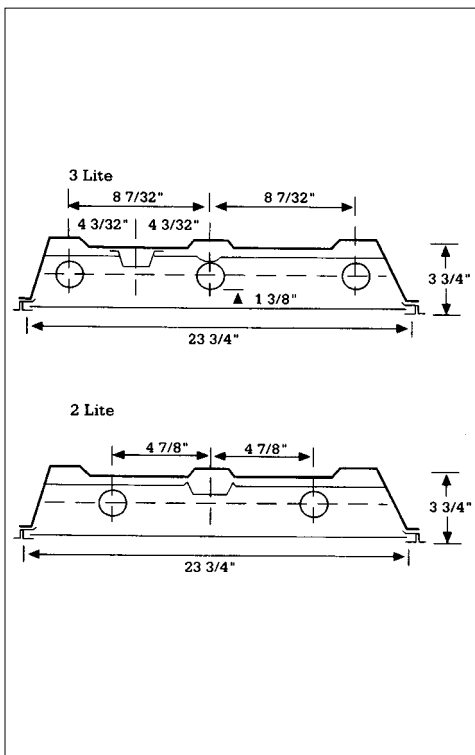
RECESS TROFFER

SERIES 83

High efficiency 2 x 4 recessed grid luminaire to conform to utility rebate programs "83%" requirements.



Dimensional Data



Specifications

Mounting: Units are designed to be installed into recessed inverted T-Bar ceilings. Ends contain built-in earthquake clips for added support. All units have wire hanger tabs for independent wire suspension.

Construction: Fixture housing is die formed of heavy gauge steel in conjunction with die embossments to insure maximum rigidity and dimensional stability. Edges are rounded for optimum safety.

Shielding: 100% virgin acrylic is standard. All shielding options are completely enclosed in a heavy gauge steel frame which is invisibly hinged.

Finish: All metal parts are thoroughly cleaned and treated with a phosphate coating to prevent rust. Surfaces are electrostatically sprayed with high quality white enamel for maximum reflectance.

Wiring: Access plate provides easy access through top of fixture to ballast leads. Standard voltage is 120v

Approval: All units are Underwriter's Laboratories (UL) approved.

Accessories Add Suffix

WP63 6' 3 Wire Whip
 MS Master/Slave
 (6' interconnect standard)
 L Lamped
 PP Shrink Pallet Less
 Cartons

Ordering Information

CATALOG #	LAMP	SIZE	VOLTAGE
G8323A120	2-FO32T8	2" x 4"	120v
G8323A277	2-FO32T8	2" x 4"	277v
G8333A120	3-FO32T8	2" x 4"	120v
G8333A277	3-FO32T8	2" x 4"	277v

NEW ENGLAND
LIGHTING
 INCORPORATED

