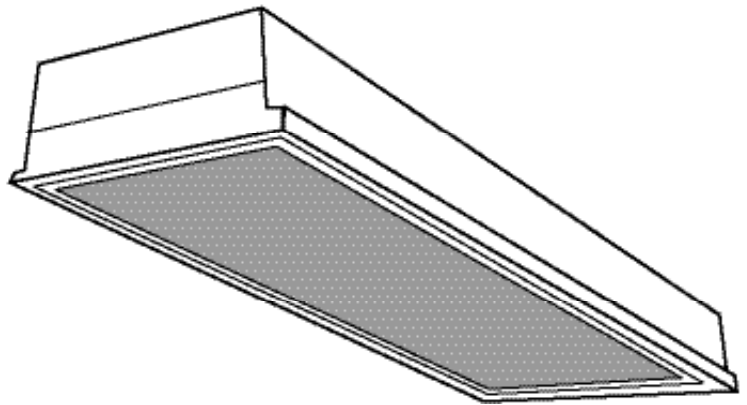
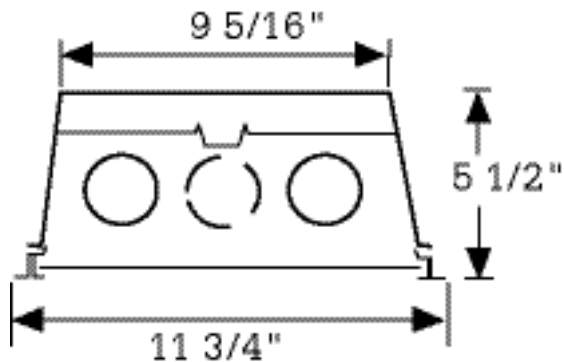


RECESS TROFFER GRID 1X4

A time proven design allows the fixture to dominate in the area of quality lighting. Multiple lamp quantities along with a variety of diffusing media to meet and compliment most lighting specifications.



Dimensional Data



Specifications

Mounting: Units are designed to be installed into recessed inverted T-Bar ceilings. Ends contain built-in earthquake clips for added support. All units have wire hanger tabs for independent wire suspension.

Construction: Fixture housing is die formed of heavy gauge steel in conjunction with die embossments to insure maximum rigidity and dimensional stability. Edges are rounded for optimum safety.

Shielding: 100% virgin acrylic is standard. All shielding options are completely enclosed in a heavy gauge steel frame which is invisibly hinged. (See reverse for optional frames and shielding.)

Finish: All metal parts are thoroughly cleaned and treated with a phosphate coating to prevent rust. Surfaces are electrostatically sprayed with high quality white enamel for maximum reflectance.

Wiring: Access plate provides easy access through top of fixture to ballast leads. Standard voltage is 120v.

Approval: All units are (UL) listed.

RECESSED TROFFER GRID 1X4

ENERGY SAVING

Unit #	Lamp	Size
RG220A	2-F2012	1X2
RG140AES	1-F40	1X4
RG240AES	2-F40	1X4
RG340AES	3-F40	1X4

ELECTRONIC OCTRON

Unit #	Lamp	Size
RG18AEBO	1-FB31(1 ^{5/8"})	1X2
RG220AEBO	2-F017T8	1X2
RG140AEBO	1-F032T8	1X4
RG240AEBO	2-F032T8	1X4
RG340AEBO	3-F032T8	1X4

Change suffix to "EB" for Electronic T12.



RECESS TROFFER GRID 1X4

Shielding Options for shield options change "A" to:

A125	.125 Prismatic Acrylic.
A156	.156 Prismatic Acrylic.
DR	High Impact Prismatic Acrylic.
FOA	Flat Opal Acrylic.
DPA	Drop Opal Acrylic Dish.
PL	1/2 x 1/2 x 1/2 White Cube Louver.
* PAS	9/16 x 9/16 x 1/2 Specular Silver Parabolic Louver.
* PAG	9/16 x 9/16 x 1/2 Specular Gold Parabolic Louver.
* PAS34	3/4 x 3/4 x 1/2 Specular Silver Parabolic Louver.
* PVS	1 1/2 x 1 1/2 x 1 Specular Silver Parabolic Louver.
* PVG	1 1/2 x 1 1/2 x 1 Specular Gold Parabolic Louver.
PVW	1 1/2 x 1 1/2 x 1 White Parabolic Louver.
* Prismatic Acrylic/Parabolic Louver Combination	Example: PASAL .

Accessories Add Suffix

REF	Internal Polished Aluminum Reflector.
REFS	Internal Specular Silver Reflector.
NY	New York City Approved - 20GA.
EM	Emergency Ballast-Standard Light 1Lamp. (For 2 Lamp Ballast - EMS2).
DIM	Dimming Ballast.
RFI	Radio Interference Filter.
FS	External Fuse and Holder.
WP63	6' 3 Wire Whip.
MS	Master/Slave (6' Interconnect Standard).
PP	Shrink Wrap Pallet Less Cartons. Corrugated End Caps for Protection.
L	Lamped.
OCT	Magnetic Octron

Frame Options

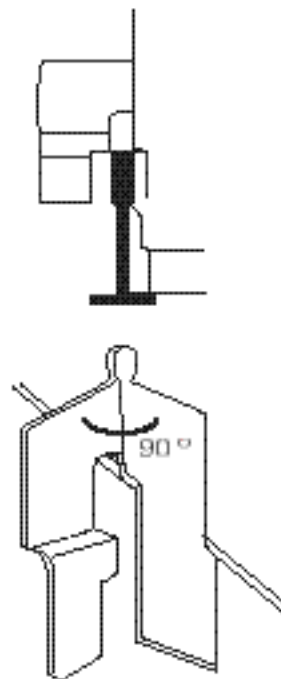
RG	White Regress Frame.
RGB	Black Regress Frame.
TP	Tamper Proof Latches.
Example:	RG240RGAES

Installation Data



Access Plate

Integral Earthquake Clips for Support



Photometrics

Photometric Information available upon request.

NEW ENGLAND
LIGHTING
INCORPORATED

