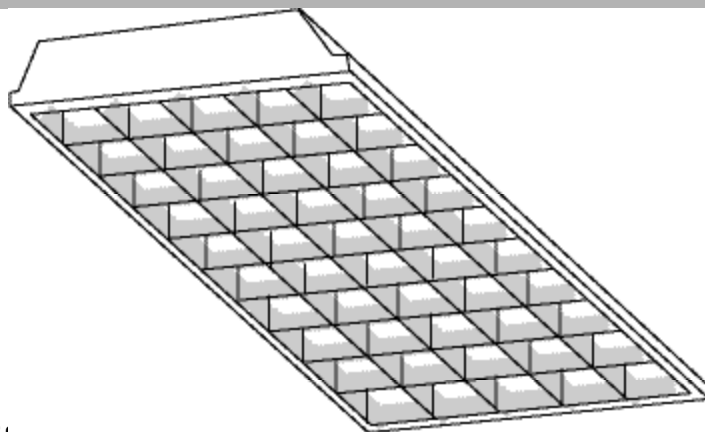
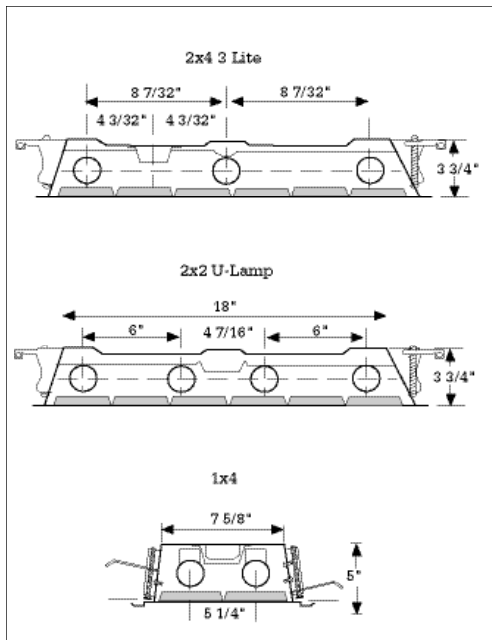


RECESS TROFFER MB SERIES FLANGE



MB series in flange models feature large cell semi-specular parabolic aluminum louvers to provide low brightness combined with high visible comfort.

Dimensional Data



Specifications

Mounting: Designed for recess installation in either H or Z spline, plaster, or wood frame ceiling. Integral level lugs allow for positive mounting and alignment to ceiling from inside fixture housing. End trims are removable for continuous row mounting.

Construction: Fixture housing is die formed of heavy gauge steel in conjunction with die embossments to insure maximum rigidity and dimensional stability. Edges are rounded for optimum safety.

Shielding: Parabolic louvers are fabricated from precision formed .020" semi-specular anodized aluminium blades and interlocked for added rigidity. Cell size shall be 4" x 4" x 1.2" for 2x2 and 2x4 or 4" x 4.7" x 1.2" for 1x4 units.

Finish: All metal parts are thoroughly cleaned and treated with a phosphate coating to prevent rust. Surfaces are electrostatically sprayed with high quality white enamel for maximum reflectance.

Wiring: Access plate provides easy access through top of fixture to ballast leads. Standard voltage is 120v.

Approval: All units are (UL) listed.

RECESSED TROFFER MB SERIES FLANGE

ENERGY SAVING

| Unit # | Lamp | Size |
|-------------|--------|------|
| MBF14240ES | 2-F40 | 1X2 |
| MBF22240UES | 2-FB40 | 2X2 |
| MBF24240ES | 2-F40 | 2X4 |
| MBF24340ES | 3-F40 | 2X4 |
| MBF24440ES | 4-F40 | 2X4 |

ELECTRONIC OCTRON

| Unit # | Lamp | Size |
|--------------|----------------------------|------|
| MBF14240EBO | 2-FO32T8 | 1X4 |
| MBF2228UEBO | 2-FB31(1 ^{5/8"}) | 2X2 |
| MBF22240UEBO | 2-FB31("6") | 2X2 |
| MBF22220EBO | 2-FO17T8 | 2X2 |
| *MBF22320EBO | 3-FO17T8 | 2X2 |
| *MBF22420EBO | 4-FO17T8 | 2X2 |
| MBF24240EBO | 2-FO32T8 | 2X4 |
| *MBF24340EBO | 3-FO32T8 | 2X4 |
| *MBF24440EBO | 4-FO32T8 | 2X4 |

Change suffix to "EB" for **Electronic T12**.

*Standard Unit - single ballast-for dual switching add suffix "/2".

Example: **MBF24340EBO/2**.

22 Cell - 1x4
25 Cell - 2x2
55 Cell - 2x4

NEW ENGLAND
LIGHTING
INCORPORATED



RECESS TROFFER

MB SERIES FLANGE

Accessories *Add Suffix*

- REF** Internal Polished Aluminum Reflector.
- REFS** Internal Specular Silver Reflector.
- NY** New York City Approved - 20GA.
- EM** Emergency Ballast-Standard Light 1Lamp.
(For 2 Lamp Ballast -**EMS2**).
- DIM** Dimming Ballast.
- RFI** Radio Interference Filter.
- FS** External Fuse and Holder.
- WP63** 6' 3 Wire Whip.
- MS** Master/Slave (6' Interconnect Standard).
- PP** Shrink Wrap Pallet Less Cartons.
Corrugated End Caps for Protection.
- L** Lamped.
- OCT** Magnetic Octron

Photometrics

Photometric Information available upon request.

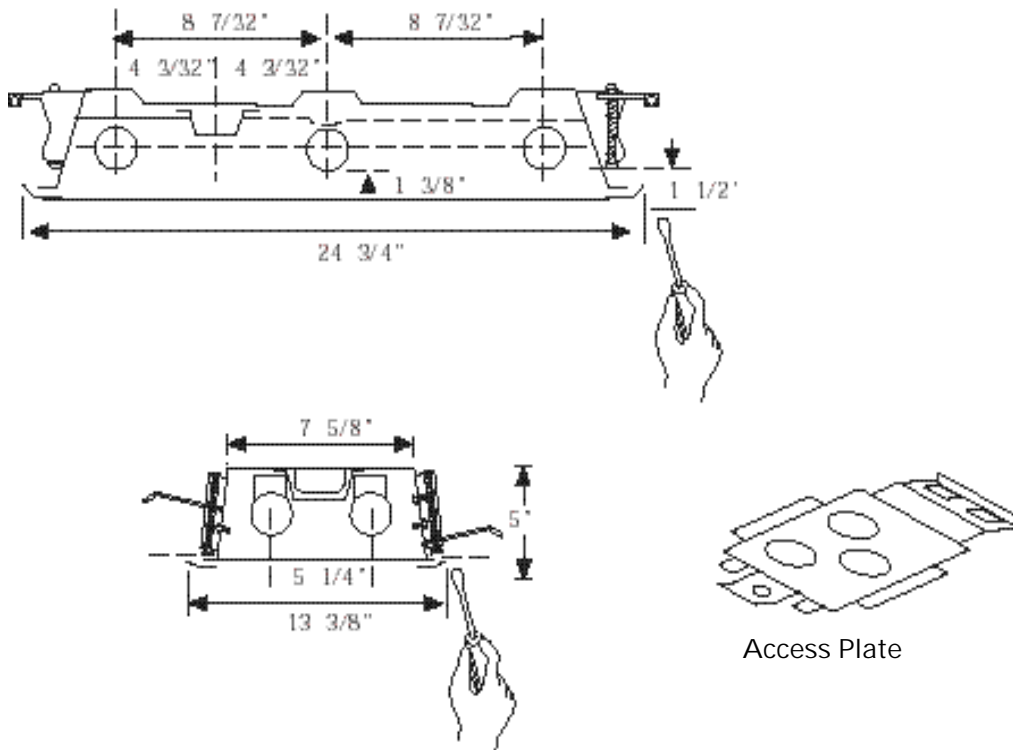
Installation Data

Ceiling Opening

1x4 = 12" (+/- 1/2") x 48 1/4" (+/- 1/4")

2x2 = 24" (+/- 1/2") x 24 1/4" (+/- 1/4")

2x4 = 24" (+/- 1/2") x 48 1/2" (+/- 1/4")



NEW ENGLAND
LIGHTING
INCORPORATED

