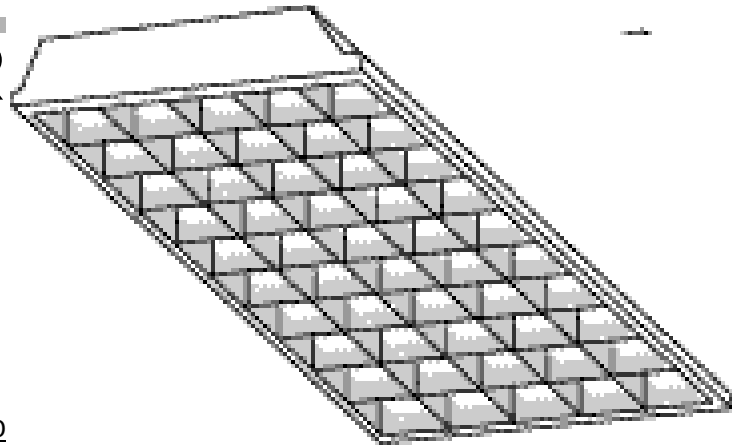
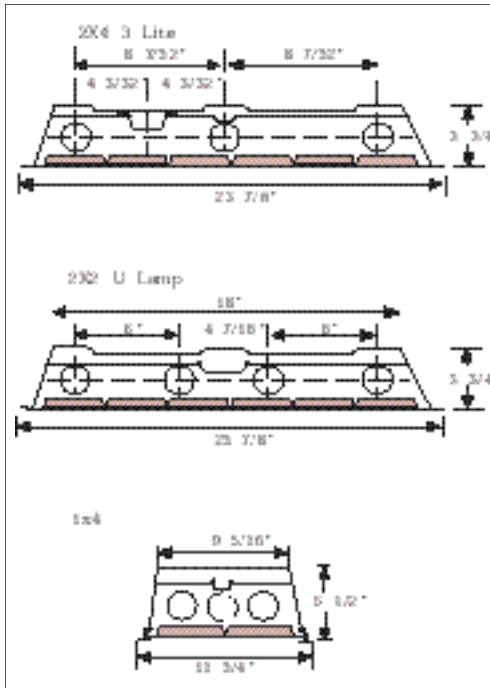


# RECESS TROFFER MB SERIES GRID



MB series in grid models feature large cell semi-specular parabolic aluminum louvers to provide low brightness combined with high visible comfort.

## Dimensional Data



## Specificatio

**Mounting:** Units are designed to be installed into re-cessed inverted T-Bar ceilings. Ends contain built-in earthquake clips for added support. All units have wire hanger tabs for independent wire suspension.

**Construction:** Fixture housing is die formed of heavy gauge steel in conjunction with die emboss-ments to insure maximum rigidity and dimensional stability. Edges are rounded for optimum safety.

**Shielding:** Parabolic louvers are fabricated from precision formed .020" semi-specular anodized aluminium blades and interlocked for added rigidity. Cell size shall be 4" x4" x1.2" for 2x2 and 2x4 or 4" x4.7" x1.2" for 1x4 units.

**Finish:** All metal parts are thoroughly cleaned and treated with a phosphate coating to prevent rust. Surfaces are electrostatically sprayed with high quality white enamel for maximum reflectance.

**Wiring:** Access plate provides easy access through top of fixture to ballast leads. Standard voltage is 120v.

**Approval:** All units are (UL) listed.

## RECESSED TROFFER MB SERIES GRID

### ENERGY SAVING

Unit #	Lamp	Size
MBG14240ES	2-F40	1X2
MBG22240UES	2-FB40	2X2
MBG24240ES	2-F40	2X4
MBG24340ES	3-F40	2X4
MBG24440ES	4-F40	2X4

### ELECTRONIC OCTRON

Unit #	Lamp	Size
MBG14240EBO	2-FO32T8	1X4
MBG2228UEBO	2-FB31(1 <sup>5/8</sup> "	2X2
MBG22240UEBO	2-FB31("6"	2X2
MBG22220EBO	2-FO17T8	2X2
*MBG22320EBO	3-FO17T8	2X2
*MBG22420EBO	4-FO17T8	2X2
MBG24240EBO	2-FO32T8	2X4
*MBG24340EBO	3-FO32T8	2X4
*MBG24440EBO	4-FO32T8	2X4

Change suffix to "EB" for **Electronic T12**.

\*Standard Unit - single ballast-for dual switching add suffix "/2".

Example: **MBG24340EBO/2**.

NEW ENGLAND  
**LIGHTING**  
INCORPORATED



# RECESS TROFFER

## MB SERIES GRID

### Accessories *Add Suffix*

<b>REF</b>	Internal Polished Aluminum Reflector.
<b>REFS</b>	Internal Specular Silver Reflector.
<b>NY</b>	New York City Approved - 20GA.
<b>EM</b>	Emergency Ballast-Standard Light 1Lamp. (For 2 Lamp Ballast - <b>EMS2</b> ).
<b>DIM</b>	Dimming Ballast.
<b>RFI</b>	Radio Interference Filter.
<b>FS</b>	External Fuse and Holder.
<b>WP63</b>	6' 3 Wire Whip.
<b>MS</b>	Master/Slave (6' Interconnect Standard).
<b>PP</b>	Shrink Wrap Pallet Less Cartons. Corrugated End Caps for Protection.
<b>L</b>	Lamped.
<b>OCT</b>	Magnetic Octron

### Installation Data



Access Plate

Integral  
Earthquake  
Clips for  
Support

