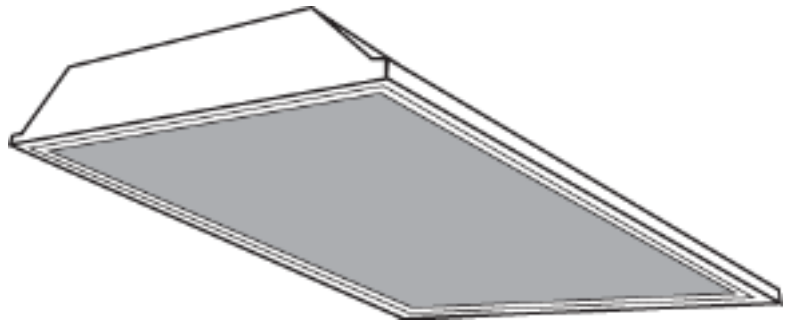
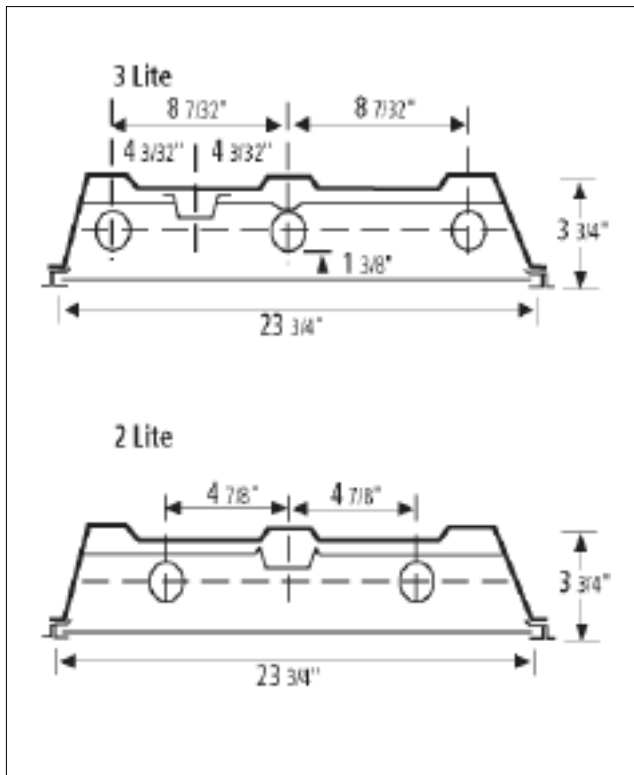


# RECESS TROFFER SERIES 83

High efficiency 2' x 4' recessed grid luminaire to conform to utility rebate programs "83%" requirements.



## Dimensional Data



## Specifications

**Mounting:** Units are designed to be installed into recessed inverted T-Bar ceilings. Ends contain built-in earthquake clips for added support. All units have wire hanger tabs for independent wire suspension.

**Construction:** Fixture housing is die formed of heavy gauge steel in conjunction with die embossments to insure maximum rigidity and dimensional stability. Edges are rounded for optimum safety.

**Shielding:** 100% virgin acrylic is standard. All shielding options are completely enclosed in a heavy gauge steel frame which is invisibly hinged.

**Finish:** All metal parts are thoroughly cleaned and treated with a phosphate coating to prevent rust. Surfaces are electrostatically sprayed with high quality white enamel for maximum reflectance.

**Wiring:** Access plate provides easy access through top of fixture to ballast leads. Standard voltage is univolt.

**Approval:** All units are (UL) listed.

## Ordering Information

Catalog #	Lamp	Size
ELECTRONIC T8		
<b>G8323A/UV</b>	<b>2-F32T8</b>	<b>2X4</b>
<b>G8333A/UV</b>	<b>3-F32T8</b>	<b>2X4</b>

## Accessories Add Suffix

<b>WP63</b>	6' 3 Wire Whip.
<b>MS</b>	Master/Slave (6' Interconnect Standard).
<b>PP</b>	Shrink Wrap Pallet Less Cartons. Corrugated End Caps for Protection.
<b>L</b>	Lamped.
<b>QD</b>	Quick Disconnect

NEW ENGLAND  
**LIGHTING**  
INCORPORATED