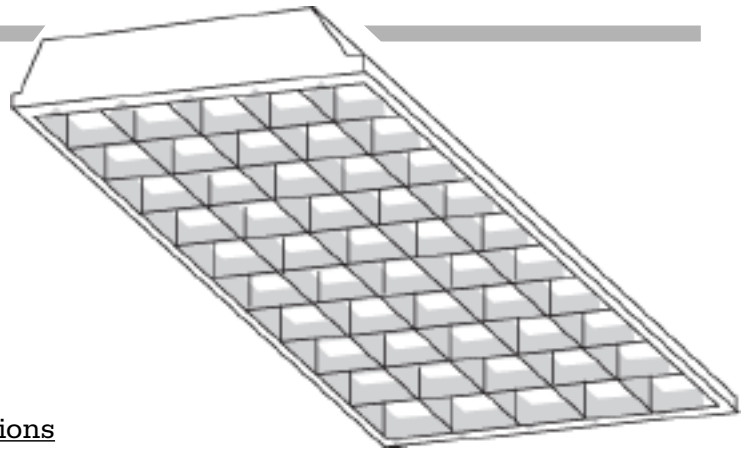
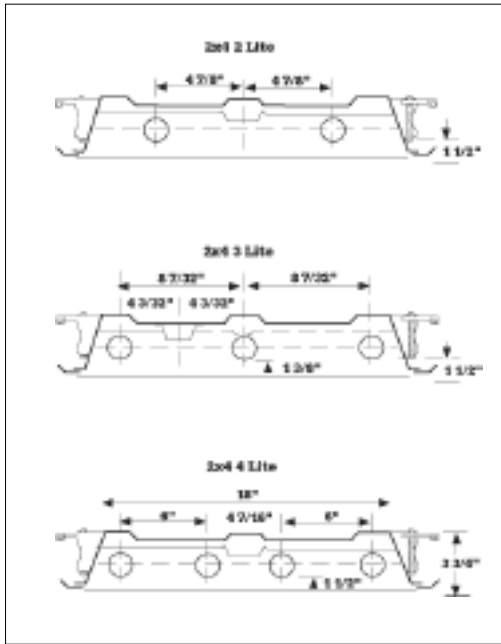


# RECESS TROFFER MB FLANGE

MB series in flange models feature large cell semi-specular parabolic aluminum louvers to provide low brightness combined with high visible comfort.



## Dimensional Data



## Specifications

**Mounting:** Designed for recess installation in either H or Z spline, plaster, or wood frame ceiling. Integral level lugs allow for positive mounting and alignment to ceiling from inside fixture housing. End trims are removable for continuous row mounting.

**Construction:** Fixture housing is die formed of heavy gauge steel in conjunction with die embossments to insure maximum rigidity and dimensional stability. Edges are rounded for optimum safety.

**Shielding:** Parabolic louvers are fabricated from precision formed .020" semi-specular anodized aluminium blades and interlocked for added rigidity. Cell size shall be 4"x4"x1.2" for 2x2 and 2x4 or 4"x4.7"x1.2" for 1x4 units.

**Finish:** All metal parts are thoroughly cleaned and treated with a phosphate coating to prevent rust. Surfaces are electrostatically sprayed with high quality white enamel for maximum reflectance.

**Wiring:** Access plate provides easy access through top of fixture to ballast leads. Standard voltage is 120v.

**Approval:** All units are (UL) listed.

## Ordering Information

Catalog #	Lamp	Size	Catalog #	Lamp	Size
ELECTRONIC T12			ELECTRONIC OCTRON T8		
<b>MBF14240EB</b>	<b>2-F40T12</b>	<b>1x4</b>	<b>MBF14240EBO</b>	<b>2-F32T8</b>	<b>1X4</b>
<b>MBF22240UEB</b>	<b>2-FB40T12</b>	<b>2x2</b>	<b>MBF2228UEBO</b>	<b>2-FB31(1<sup>5/8"</sup>)</b>	<b>2X2</b>
<b>MBF24240EB</b>	<b>2-F40T12</b>	<b>2x4</b>	<b>MBF22240UEBO</b>	<b>2-FB31("6")</b>	<b>2X2</b>
<b>MBF24340EB</b>	<b>3-F40T12</b>	<b>2x4</b>	<b>MBF22220EBO</b>	<b>2-F17T8</b>	<b>2X2</b>
<b>MBF24440EB</b>	<b>4-F40T12</b>	<b>2x4</b>	<b>* MBF22320EBO</b>	<b>3-F17T8</b>	<b>2X2</b>
			<b>* MBF22420EBO</b>	<b>4-F17T8</b>	<b>2X2</b>
			<b>MBF24240EBO</b>	<b>2-F32T8</b>	<b>2X4</b>
			<b>* MBF24340EBO</b>	<b>3-F32T8</b>	<b>2X4</b>
			<b>* MBF24440EBO</b>	<b>4-F32T8</b>	<b>2X4</b>
				22 Cell – 1x4	
				25 Cell – 2x2	
				55 Cell – 2x4	

\*Standard Unit - single ballast-for dual switching add suffix "/2".  
Example: **MBF24340EBO/2**.



# RECESS TROFFER MB SERIES FLANGE

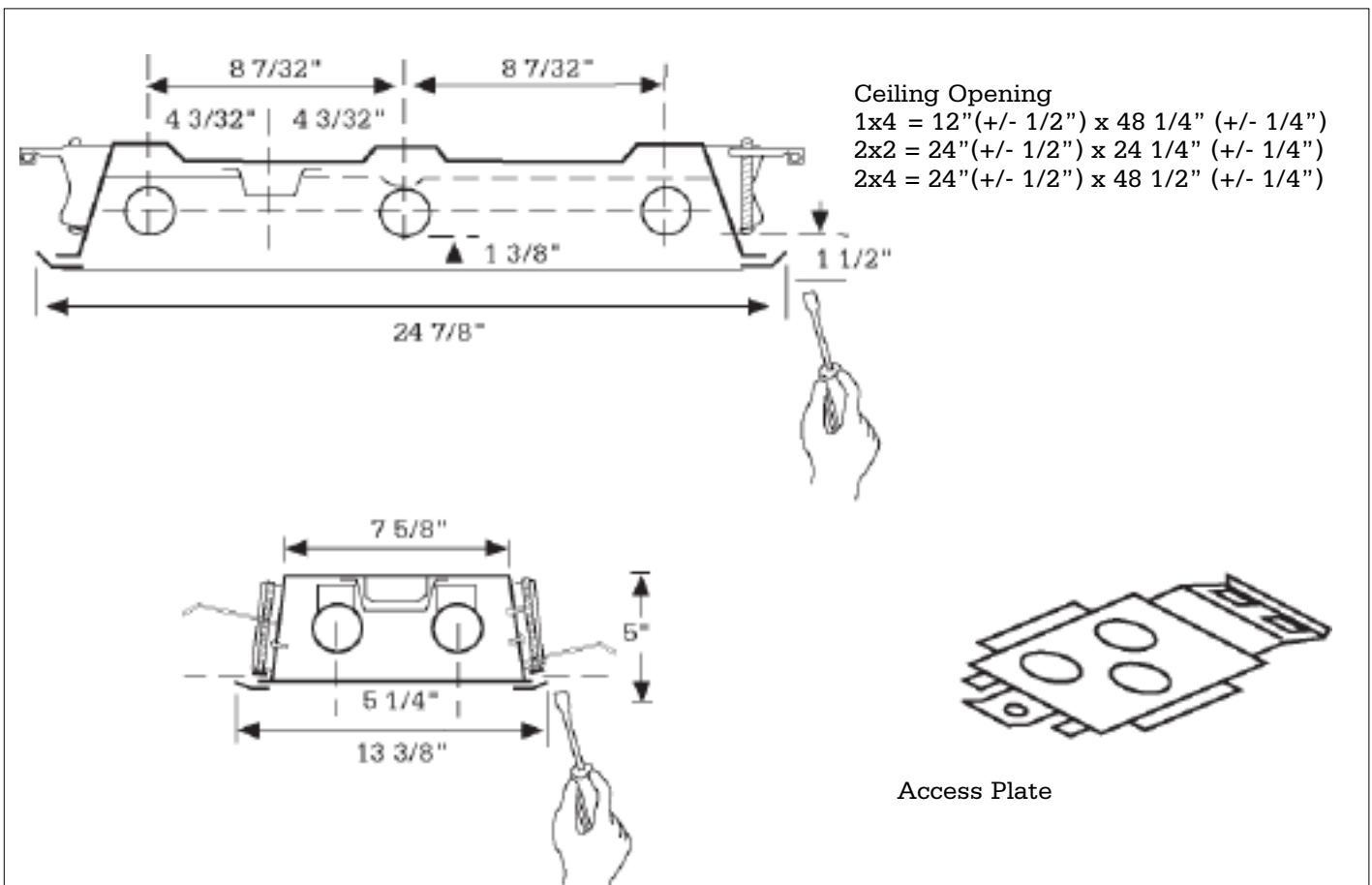
## Accessories Add Suffix

<b>REF</b>	Internal Polished Aluminum Reflector.
<b>REFS</b>	Internal Specular Silver Reflector.
<b>NY</b>	New York City Approved - 20GA.
<b>EM</b>	Emergency Ballast-Standard Light 1Lamp. (For 2 Lamp Ballast - <b>EM/2</b> ).
<b>DIM</b>	Dimming Ballast.
<b>RFI</b>	Radio Interference Filter.
<b>FS</b>	External Fuse and Holder.
<b>WP63</b>	6' 3 Wire Whip.
<b>MS</b>	Master/Slave (6' Interconnect Standard).
<b>PP</b>	Shrink Wrap Pallet Less Cartons. Corrugated End Caps for Protection.

## Photometrics

Photometric Information available upon request.

## Installation Data



NEW ENGLAND  
**LIGHTING**  
 INCORPORATED