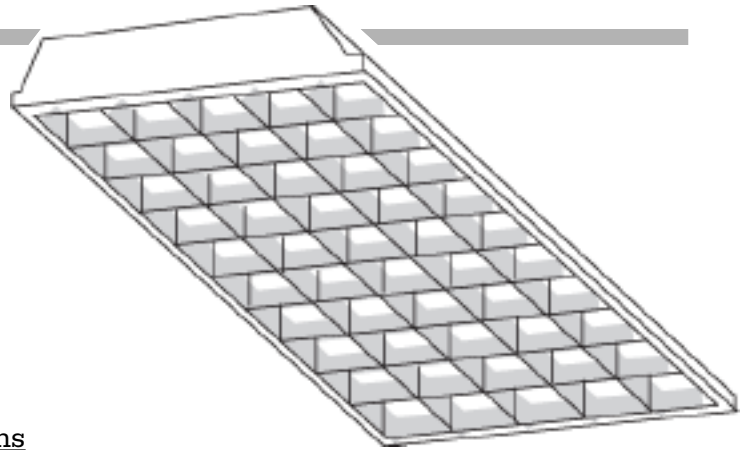
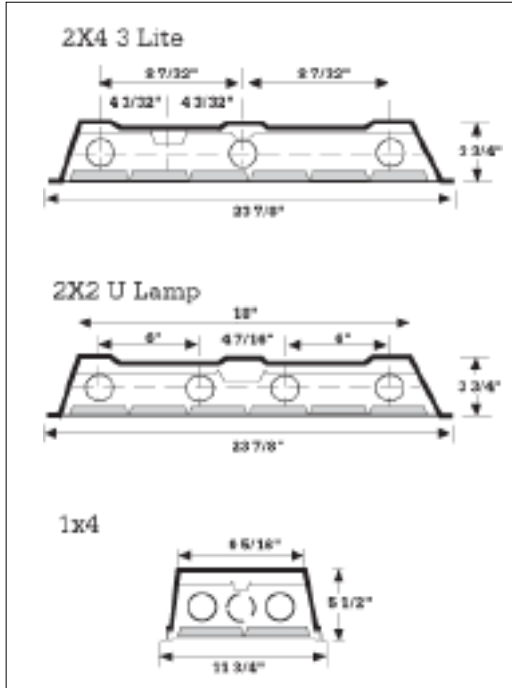


RECESS TROFFER MB GRID



MB series in grid models feature large cell semi-specular parabolic aluminum louvers to provide low brightness combined with high visible comfort.

Dimensional Data



Specifications

Mounting: Units are designed to be installed into re-cessed inverted T-Bar ceilings. Ends contain built-in earthquake clips for added support. All units have wire hanger tabs for independent wire suspension.

Construction: Fixture housing is die formed of heavy gauge steel in conjunction with die emboss-ments to insure maximum rigidity and dimensional stability. Edges are rounded for optimum safety.

Shielding: Parabolic louvers are fabricated from precision formed .020" semi-specular anodized aluminium blades and interlocked for added rigidity. Cell size shall be 4"x4"x1.2" for 2x2 and 2x4 or 4"x4.7"x1.2" for 1x4 units.

Finish: All metal parts are thoroughly cleaned and treated with a phosphate coating to prevent rust. Surfaces are electrostatically sprayed with high quality white enamel for maximum reflectance.

Wiring: Access plate provides easy access through top of fixture to ballast leads. Standard voltage is 120v.

Approval: All units are (UL) listed.

Ordering Information

Catalog #	Lamp	Size	Catalog #	Lamp	Size
ELECTRONIC T12			ELECTRONIC OCTRON T8		
MBG14240EB	2-F40T12	1x4	MBG14240EBO	2-F32T8	1x4
MBG22240UEB	2-FB40T12	2x2	MBG2228UEBO	2-FB31(15/8")	2x2
MBG24240EB	2-F40T12	2x4	MBG22240UEBO	2-FB31("6")	2x2
MBG24340EB	3-F40T12	2x4	MBG22220EBO	2-F17T8	2x2
MBG24440EB	4-F40T12	2x4	* MBG22320EBO	3-F17T8	2x2
			* MBG22420EBO	4-F17T8	2x2
			MBG24240EBO	2-F32T8	2x4
			* MBG24340EBO	3-F32T8	2x4
			* MBG24440EBO	4-F32T8	2x4

*Standard Unit - single ballast-for dual switching add suffix "/2".
Example: **MBG24340EBO/2**.



RECESS TROFFER MB SERIES GRID

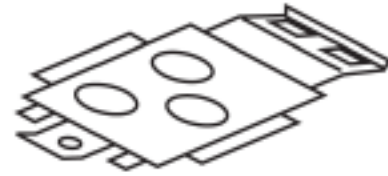
Accessories Add Suffix

REF	Internal Polished Aluminum Reflector.
REFS	Internal Specular Silver Reflector.
NY	New York City Approved - 20GA.
EM	Emergency Ballast-Standard Light 1Lamp. (For 2 Lamp Ballast - EM/2).
DIM	Dimming Ballast.
RFI	Radio Interference Filter.
FS	External Fuse and Holder.
WP63	6' 3 Wire Whip.
MS	Master/Slave (6' Interconnect Standard).
PP	Shrink Wrap Pallet Less Cartons. Corrugated End Caps for Protection.

Photometrics

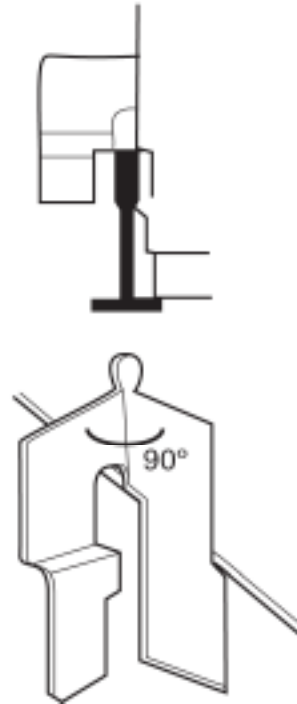
Photometric Information available upon request.

Installation Data



Access Plate

Integral
Earthquake
Clips for
Support



NEW ENGLAND
LIGHTING
INCORPORATED