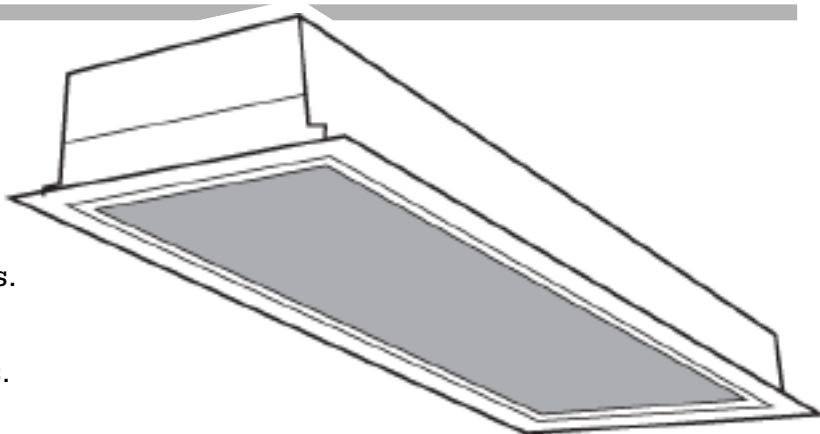
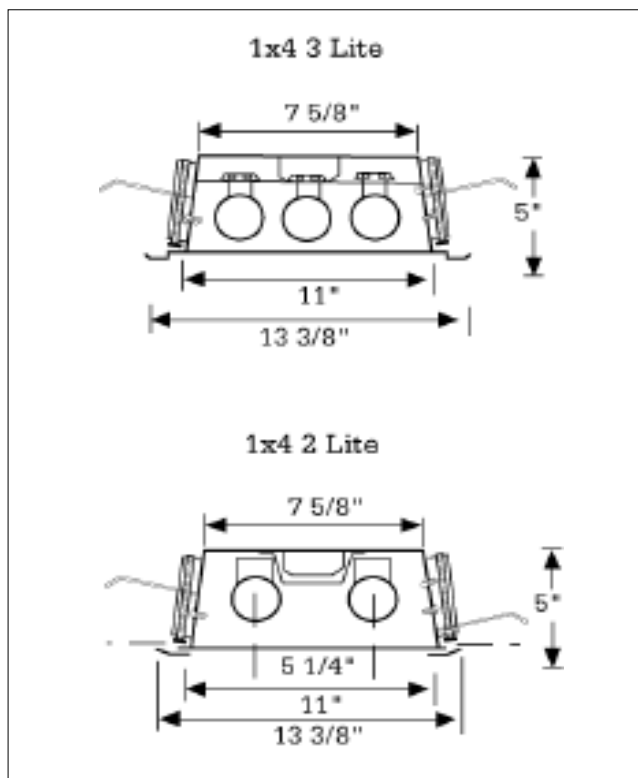


# RECESS TROFFER FLANGE 1X2, 1X4

Heavy duty recessed flanged fixture designed for installation in plaster or concealed mechanical ceilings. Multiple lamp quantities along with a variety of diffusing media to meet and compliment most lighting specifications.



## Dimensional Data



## Specifications

**Mounting:** Designed for recess installation in either H or Z spline, plaster, or wood frame ceiling. Integral level lugs allow for positive mounting and alignment to ceiling from inside fixture housing. End trims are removable for continuous row mounting.

**Construction:** Fixture housing is die formed of heavy gauge steel in conjunction with die embossments to insure maximum rigidity and dimensional stability. Edges are rounded for optimum safety.

**Shielding:** 100% virgin acrylic is standard. All shielding options are completely enclosed in a heavy gauge steel frame which is invisibly hinged. (See reverse for optional frames and shielding.)

**Finish:** All metal parts are thoroughly cleaned and treated with a phosphate coating to prevent rust. Surfaces are electrostatically sprayed with high quality white enamel for maximum reflectance.

**Wiring:** Access plate provides easy access through top of fixture to ballast leads. Standard voltage is 120v.

**Approval:** All units are (UL) listed.

## Ordering Information

Catalog #	Lamp	Size	Catalog #	Lamp	Size
ELECTRONIC T12			ELECTRONIC OCTRON T8		
RF220AEB	2-F20T12	1x2	RF18UAEBO	1-FB31(1 <sup>5/8"</sup> )	1x2
RF140AEB	1-F40T12	1x4	RF220AEB	2-F17T8	1x2
RF240AEB	2-F40T12	1x4	RF140AEB	1-F32T8	1x4
RF340AEB	3-F40T12	1x4	RF240AEB	2-F32T8	1x4
			RF340AEB	3-F32T8	1x4

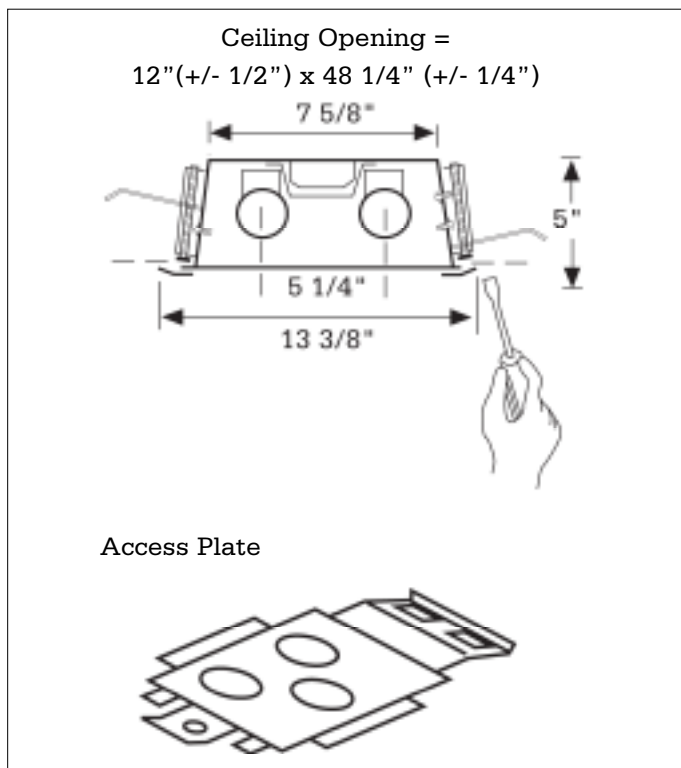


# RECESS TROFFER FLANGE 1X2, 1X4

Shielding Options for shield options change "A" to:

<b>A125</b>	.125 Prismatic Acrylic.
<b>A156</b>	.156 Prismatic Acrylic.
<b>DR</b>	High Impact Prismatic Acrylic.
<b>FOA</b>	Flat Opal Acrylic.
<b>DPA</b>	Drop Opal Acrylic Dish.
<b>PL</b>	1/2 x 1/2 x 1/2 White Cube Louver.
* <b>PAS</b>	9/16 x 9/16 x 1/2 Specular Silver Parabolic Louver.
* <b>PAS34</b>	3/4 x 3/4 x 1/2 Specular Silver Parabolic Louver.
* <b>PVS</b>	1 1/2 x 1 1/2 x 1 Specular Silver Parabolic Louver.
<b>PVW</b>	1 1/2 x 1 1/2 x 1 White Parabolic Louver.
* Prismatic Acrylic/Parabolic Louver Combination	Example: <b>PASAL</b> .

Installation Data



Accessories Add Suffix

<b>REF</b>	Internal Polished Aluminum Reflector.
<b>REFS</b>	Internal Specular Silver Reflector.
<b>NY</b>	New York City Approved - 20GA.
<b>EM</b>	Emergency Ballast-Standard Light 1Lamp. (For 2 Lamp Ballast - <b>EM/2</b> ).
<b>DIM</b>	Dimming Ballast.
<b>RFI</b>	Radio Interference Filter.
<b>FS</b>	External Fuse and Holder.
<b>WP63</b>	6' 3 Wire Whip.
<b>MS</b>	Master/Slave (6' Interconnect Standard).
<b>PP</b>	Shrink Wrap Pallet Less Cartons. Corrugated End Caps for Protection.
<b>L</b>	Lamped.

Frame Options

<b>RG</b>	White Regress Frame.
<b>RGB</b>	Black Regress Frame.
<b>TP</b>	Tamper Proof Latches.

Example: **RF240RGAEB**

Photometrics

Photometric Information available upon request.

