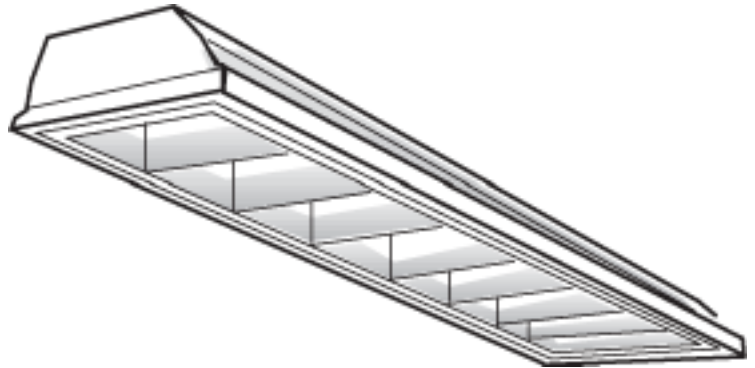
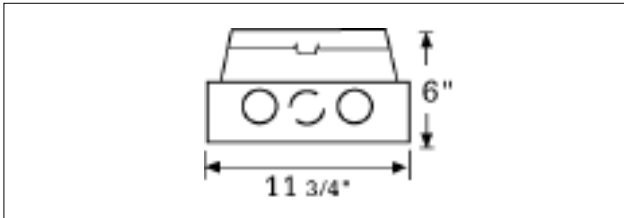


# DEEP CELL TROFFER GRID 1X4

A time proven design allows the fixture to dominate in the area of quality lighting. Multiple lamp quantities along with a variety of diffusing media to meet and compliment most lighting specifications.



## Dimensional Data



## Ordering Information

Catalog #	Lamp	Cells
<b>ELECTRONIC T5</b>		
SCG14228T5/UV	2-F28T5	8
SCG14254HO/UV	2-F54T5HO	8
SCG14228T516/UV	2-F28T5	16
SCG14254HO16/UV	2-F54T5HO	16
<b>ELECTRONIC T8</b>		
SCG14232EBO/UV	2-F32T8	8
SCG1423216EBO/UV	2-F32T8	16
<b>ELECTRONIC T12</b>		
SCG14240EB	2-F40T12	8
SCG1424016EB	2-F40T12	16

## Specifications

**Mounting:** Units are designed to be installed into recessed inverted T-Bar ceilings. Ends contain built-in earthquake clips for added support. All units have wire hanger tabs for independent wire suspension.

**Construction:** Fixture housing is die formed of heavy gauge steel in conjunction with die embossments to insure maximum rigidity and dimensional stability.

**Louver:** Large cell anodized 3" deep aluminum parabolic louvers are precision mitered, rigidly interlocked to maintain parabolic contours assuring a high visual comfort probability (VCP) rating. Anodized louvers resist stains and scratches and can be cleaned repeatedly without damage to finish. Louver has full bordered black reveal and hinges from either side without use of tools.

**Finish:** All metal parts are thoroughly cleaned and treated with a phosphate coating to prevent rust. Surfaces are electrostatically sprayed with high quality white enamel for maximum reflectance.

**Wiring:** Access plate provides easy access through top of fixture to ballast leads. Standard voltage is Universal Voltage. 120v for T12 models only

**Approval:** All units are (UL) listed.

## Accessories Add Suffix

<b>REF</b>	Internal Polished Aluminum Reflector.	<b>RFI</b>	Radio Interference Filter.
<b>REFS</b>	Internal Specular Silver Reflector.	<b>FS</b>	External Fuse and Holder.
<b>NY</b>	New York City Approved - 20GA.	<b>WP63</b>	6' 3 Wire Whip.
<b>EM</b>	Emergency Ballast-Standard Light 1Lamp. (For 2 Lamp Ballast - <b>EM/2</b> ).	<b>MS</b>	Master/Slave (6' Interconnect Standard).
<b>DIM</b>	Dimming Ballast.	<b>PP</b>	Shrink Wrap Pallet Less Cartons. Corrugated End Caps for Protection.
		<b>L</b>	Lamped.

Photometrics Photometric Information available upon request.

