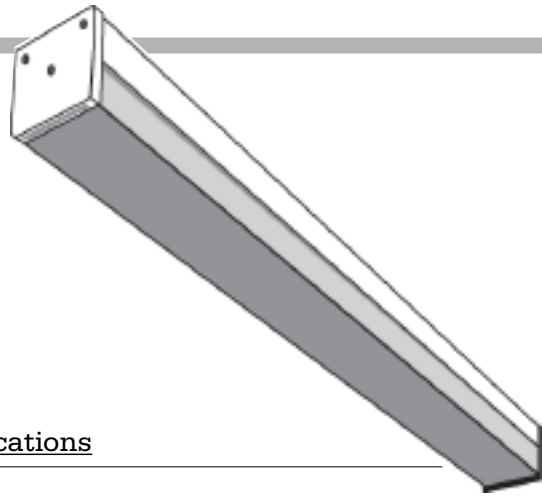
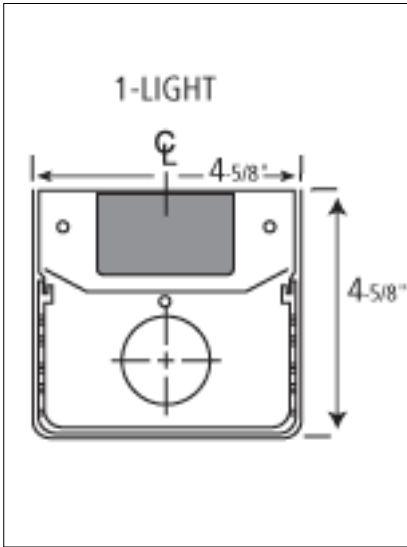


DV SERIES

This series combines a highly decorative look with the versatility of a vandal proof fixture. Typical application are schools, hospitals, institutions and high traffic or high risk areas.



Dimensional Data



Specifications

Mounting: Back plate provided with adequate knockouts and mounting holes for either wall or ceiling installation.

Construction: All metal parts are die formed from 16 gauge cold rolled steel with overlapping end caps to insure uniformity and dimensional stability. One light units same external dimensions. Three tamper-proof screws per end standard..

Finish: Exterior available with white enamel finish. All interior surfaces are electrostatically sprayed with high quality white enamel to provide a minimum reflectance of 87%.

Diffuser: Linear sided prismatic lexan shielding to assure vandal resistant fixture.

Wiring: Standard ballast are 120 volt.

Approval: All units are UL listed.(UL)

Ordering Information

Catalog #	Lamp	Length	Catalog #	Lamp	Length
ELECTRONIC T12			ELECTRONIC OCTRON T8		
DV115EB	1-F15T12	18"	DV120EBO	1-F17T8	24"
DV215EB	2-F15T12	18"	DV220EBO	2-F17T8	24"
DV120EB	1-F20T12	24"	DV130EBO	1-F25T8	36"
DV220EB	2-F20T12	24"	DV230EBO	2-F25T8	36"
DV130EB	1-F30T12	36"	DV140EBO	1-F32T8	48"
DV230EB	2-F30T12	36"	DV240EBO	2-F32T8	48"
DV140EB	1-F40T12	48"			
DV240EB	2-F40T12	48"			



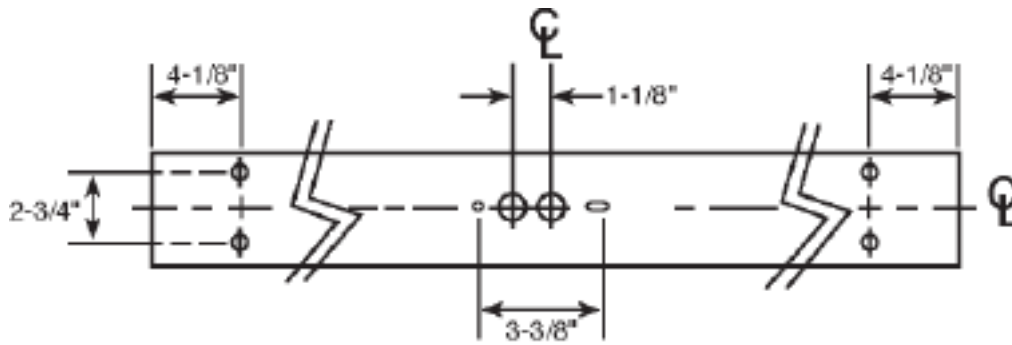
DV SERIES

Options and Accessories Add Suffix

RFI	Radio Interference Filter	EM/2	Emergency Ballast (2 lamp)
DIM	Dimming Ballast	FS	External Fuse Holder
EM	Emergency Ballast (1 lamp)	CO	Grounded Convenience Outlet

* Note: Consult Factory on Compatibility EM/2 Option

Installation Data



15w	18-1/4"	Mounting hole standard for each size.
20w	24-1/4"	
30w	36-1/4"	
48w	48-1/4"	

Photometrics

Photometric Information available upon request.

