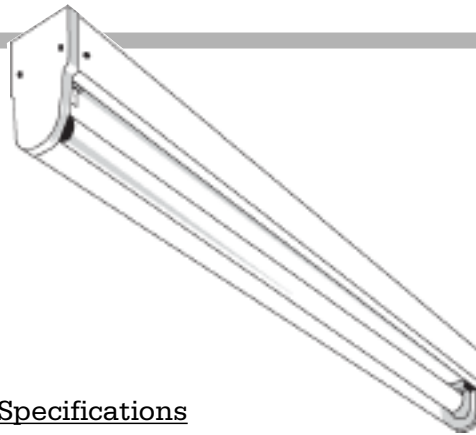
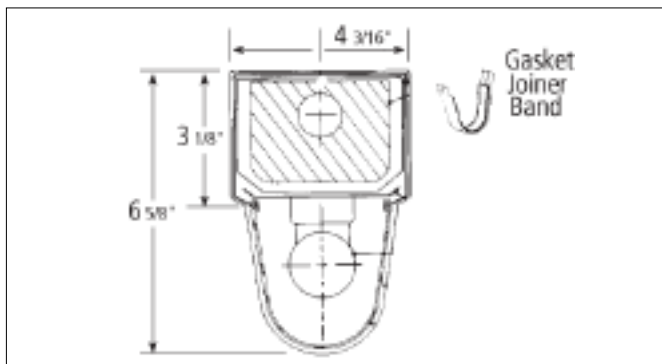


OG SERIES

The OG Series is a single lamp weather resistant fluorescent lighting fixture designed to provide uniform, high level general outdoor lighting. Applications range from shopping centers and arcades to walk and passage ways.



Dimensional Data



Specifications

Mounting: Back plate contains adequate knockouts for surface installations under canopies on any outside overhang. Also may be used for indoor applications.

Construction: Fixture housing and end plates die formed at .040° aluminium. All interior components also fabricated of aluminium to provide positive protection against rust and deterioration. End plates and continuous joiner band are gasketed.

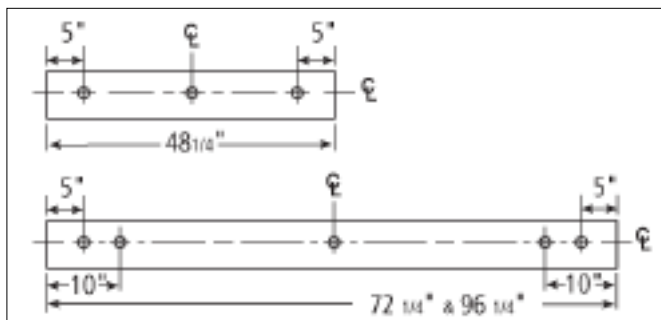
Finish: All aluminium exterior and interior surfaces are thoroughly cleaned and treated with phosphate coating applied in a five stage process. Surfaces are then sprayed with high quality baked white enamel to provide a minimum of reflectance of 87%.

Diffuser: One piece snap-in clear extruded virgin acrylic with smooth finish. Also available in smooth opal acrylic upon request.

Wiring: Standard ballast are 120 volt. HO ballasts are low temperature (-20F).

Approval: All units are UL approved.

Installation Data



Photometrics

Photometric Information available upon request

Ordering Information

Catalog #	Lamp	Length	Catalog #	Lamp	Length
ELECTRONIC T12			HIGH OUTPUT		
OG140EB	1-F40T12	4'	OG148HOEB	1-F48T12HO	4'
OG148EB	1-F48T12	4'	OG172HOEB	1-F72T12HO	6'
OG172EB	1-F72T12	6'	OG172THOEB	2-F72T12HO	12'
OG172TEB	2-F72T12	12'	OG196HOEB	1-F96T12HO	8'
OG196EB	1-F96T12	8'	OG196THOEB	2-F96T12HO	16'
OG196TEB	2-F96T12	16'			

