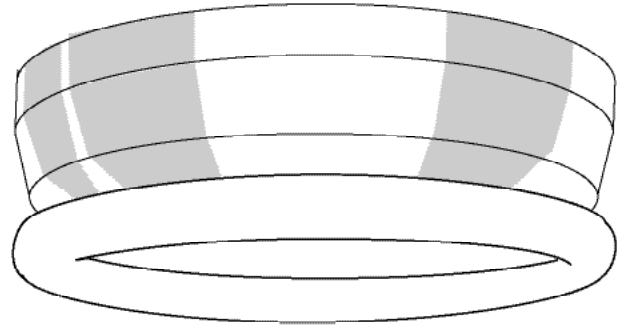
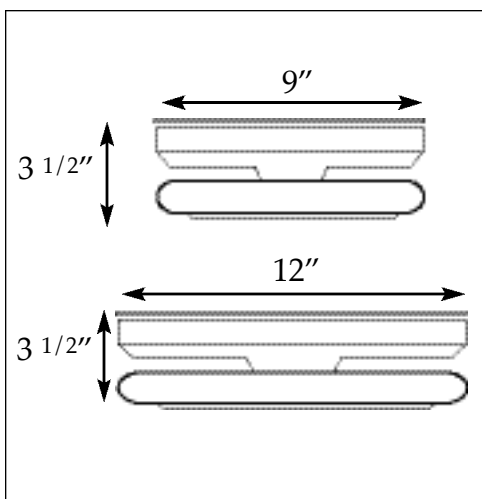


# C SERIES CIRCLELINE

A variety of Circle Lamp combinations on either white enamel or polished chrome fixtures provide the energy and maintenance saving alternative to incandescent lighting. Ideally suited for kitchens, hallways, and utility areas.



## Dimensional Data:



## Specifications:

**Construction:** Fixture housings are die formed of heavy gauge cold roll steel to insure uniformity and dimensional stability.

**Finish:** Exteriors available in either high quality white enamel or polished chrome.

**Wiring:** All ballast are high power factor ETC-EBM class "P". Standard voltage 120 volts.

**Approval:** All units are Underwriter's Laboratories (UL) approved.

### C SERIES CIRCLELINE

WHITE FINISH	CHROME	LAMP	DIAMETER
CW22	CL22	1-22w	9"
CW32	CL32	1-32w	12"
CW22-32	CL22-32	1-22w, 1-32w	12"

NEW ENGLAND  
  
 INCORPORATED

