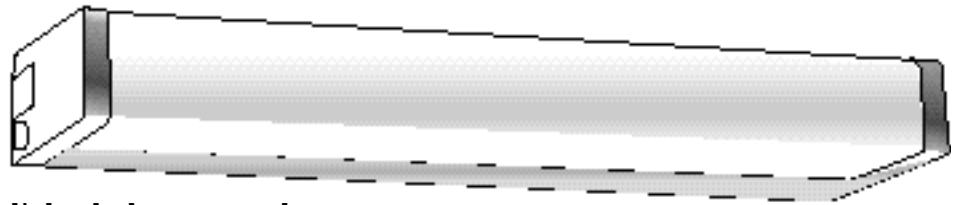


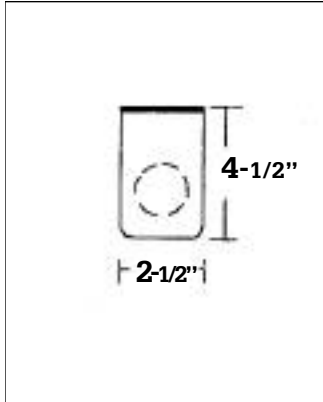
# CB SERIES

Smartly styled, one lamp wall mounted luminaire with smooth opal acrylic diffuser bracketed by two polished chrome ends.

Turn switch and grounded convenience outlet standard. A functional addition to bath and utility areas.



## Dimensional Data



## Specifications

**Construction:** Fixture housing die-formed of heavy gauge cold roll steel provided with adequate knockouts and mounting holes for ease of installation.

**Diffuser:** Smooth extruded opal acrylic.

**Finish:** Standard exterior finish is polished chrome. (White finish optional) Interior surfaces electro-statically sprayed with a high quality white enamel with a minimum reflectance of 87%.

**Wiring:** White turn switch and grounded convenience outlet standard. Standard ballast 120 volt, 60 hertz.

**Approval:** All units are Underwriter's Laboratories ( UL ) approved.

## ORDERING INFORMATION

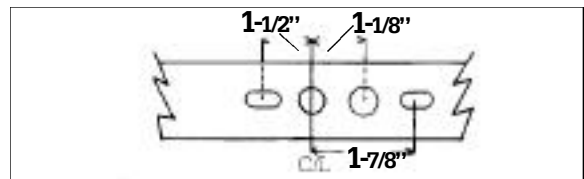
Catalog # Chrome	Catalog # White	Lamp	Length
<b>MAGNETIC</b>			
<b>CB115PH</b>	<b>CB115WPH</b>	<b>1-F15T8</b>	<b>18"</b>
<b>CB120PH</b>	<b>CB120WPH</b>	<b>1-F20T12</b>	<b>24"</b>
<b>CB115TS</b>	<b>CB115WTS</b>	<b>1-F15T12</b>	<b>18"</b>
<b>CB120TS</b>	<b>CB120WTS</b>	<b>1-F20T12</b>	<b>24"</b>
<b>CB130RS</b>	<b>CB130WRS</b>	<b>1-F30T12</b>	<b>36"</b>
<b>CB140RS</b>	<b>CB140WRS</b>	<b>1-F40</b>	<b>48"</b>
<b>ELECTRONIC OCTRON</b>			
<b>CB120EBO</b>	<b>CB120WEBO</b>	<b>1-FO17T8</b>	<b>24"</b>
<b>CB130EBO</b>	<b>CB130WEBO</b>	<b>1-FO25T8</b>	<b>36"</b>
<b>CB140EBO</b>	<b>CB140WEBO</b>	<b>1-FO32T8</b>	<b>48"</b>
<b>MINIATURE TWIN TUBES</b>			
<b>CB18/2PL13</b>	<b>CB18W/2PL13</b>	<b>2-13W</b>	<b>18"</b>
<b>CB24/2PL13</b>	<b>CB24W/2PL13</b>	<b>2-13W</b>	<b>24"</b>
<b>CB24/3PL13</b>	<b>CB24W/3PL13</b>	<b>3-13W</b>	<b>24"</b>

## Options and Accessories *Add Suffix*

- \*CW Low Temperature ( 0 ) Ballast
- \*DIM Dimming Ballast
- EM Emergency Ballast
- FS External fuse and holder
- NSW No Switch
- NCO No Outlet
- NSWCO No Switch or Outlet

\*Available Magnetic T12 or Electronic T8.

## Installation Data



## Photometrics

Photometric Information available upon request.

NEW ENGLAND  
**LIGHTING**  
INCORPORATED

