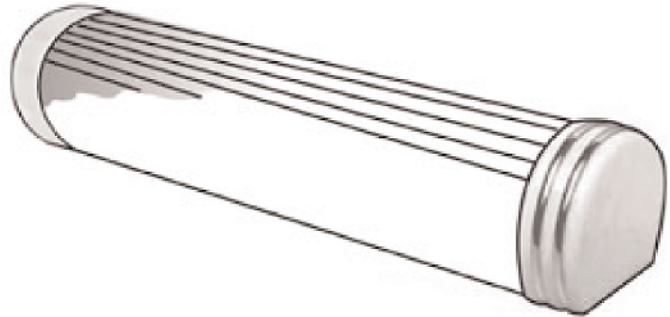
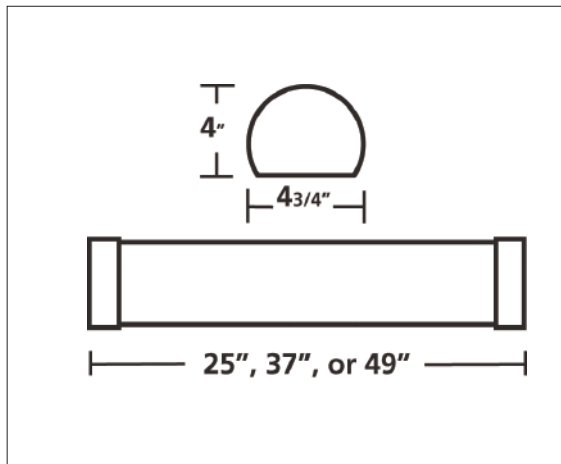


# DECORATIVE ENDCAP BATH BARS

Decorative End Cap Bath Bar Series of diffuser assemblies, allows to produce a cost effective, yet elegant styled luminaire. The diffuser assembly consists of a solid white (standard), clear ribbed or white ribbed profile material to a choice of end cap colors.



## Dimensional Data



## Specifications

**Construction:** All metal parts die formed from heavy gauge cold rolled steel housing with ample knockouts for mounting and electrical feeds.

**Finish:** All steel parts are finished in baked white enamel.

**Diffuser:** The one-piece diffuser is formed from .125" thick smooth white acrylic. Each designer end cap is sonically welded onto the diffuser for a permanent fit. The entire assembly mounts onto the housing with spring clips

**Wiring:** All ballasts are electronic or magnetic for linear T8 or T12. Standard ballast 120 volt, 60 hertz.

**Approval:** All units are Underwriter's Laboratories ( UL ) approved.

## Ordering Information

White	Lamps	Length
ELECTRONIC T12		
<b>ECB220WEB</b>	<b>2-F20T12</b>	<b>2'</b>
<b>ECB230WEB</b>	<b>2-F30T12</b>	<b>3'</b>
<b>ECB240WEB</b>	<b>2-F40T12</b>	<b>4'</b>
ELECTRONIC T12		
<b>ECB220WEBO</b>	<b>2-F17T8</b>	<b>2'</b>
<b>ECB230WEBO</b>	<b>2-F25T8</b>	<b>3'</b>
<b>ECB240WEBO</b>	<b>2-F32T8</b>	<b>4'</b>

For Ivory Marble Ends add IV to catalog number. Example: **ECB240WIVEBO**

## Optional Ends

	IV-Ivory Marble		VG-Verde Green
	PM-Peach Marble		BM-Black Marble
	SW-Solid White		AL-Alabaster
	TO-Tortoise		WM-White Marble
			BG-Black Gravel

## Diffusers

<b>W</b>	White Smooth
<b>WR</b>	White Ribbed
<b>CR</b>	Clear Ribbed

## Photometrics:

Photometric Information available upon request.

