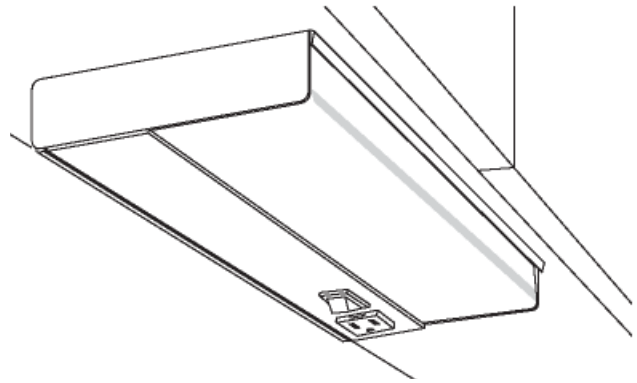


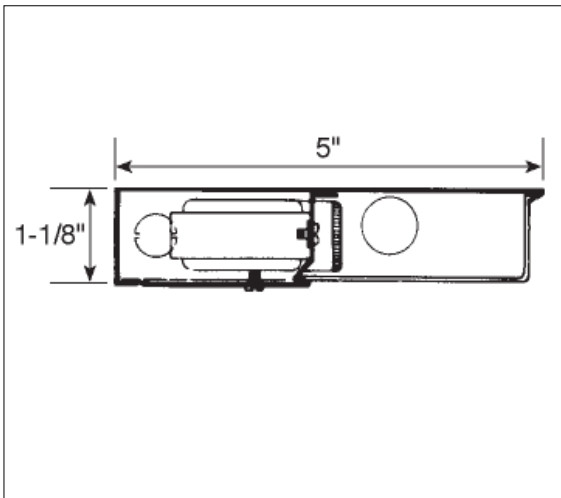
ET SERIES

ELECTRONIC ULTRA THIN UNDER SHELF LIGHTS

Ultra Thin's unique 1" silhouette combined with the energy efficiency of electronic ballast provides the ideal solution to those hard-to-light under cabinet and shelf work areas. A variety of lengths and lamp sizes allows for adequate illumination for all size spaces.



Dimensional Data



Specifications

Mounting: All units provided with 2 keyhole slots, 4 knock-outs and BX connector for ease of installation.

Construction: Fixture housing made of heavy gauge die-formed cold rolled steel with no visible exterior hardware. Snap-in opal diffuser of highly durable, light-stable acrylic. Finished baked white enamel.

Wiring: All ballasts are electronic instant start for T5 lamps. On-off rocker switch, grounded convenience outlet, 6' 3 wire cord set optional.

Approval: All units are Underwriter's Laboratories (UL) approved.

Ordering Information

On - Off Rocker Switch	Lamp	Size	No Switch	Lamp	Size
ET8	1-F8T5	12"	ET8-S	1-F8T5	12"
ET28	2-F8T5	24"	ET28-S	2-F8T5	24"
ET13	1-F13T5	21"	ET13-S	1-F13T5	21"
ET813	1-F13T5	33"	ET813-S	1-F13T5	33"
	1-F8T5			1-F8T5	
ET213	2-F13T5	42"	ET213-S	2-F13T5	42"

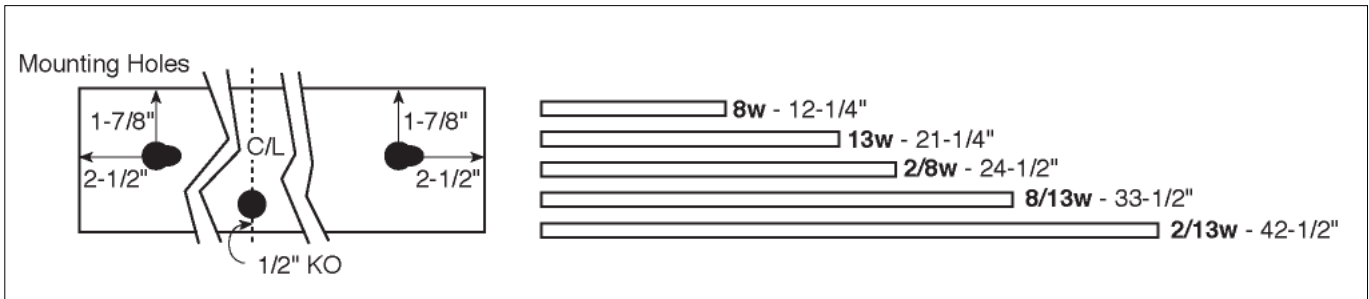
Photometrics: Photometric Information available upon request.



ET SERIES

ELECTRONIC ULTRA THIN UNDER SHELF LIGHTS

Installation Data



Options and Accessories *Add Suffix*

CO	Ground Convenience Outlet
CORD	6' 2 Wire Cord Set
CORD/3W	6' 3 Wire Ground Cord Set

NEW ENGLAND

INCORPORATED