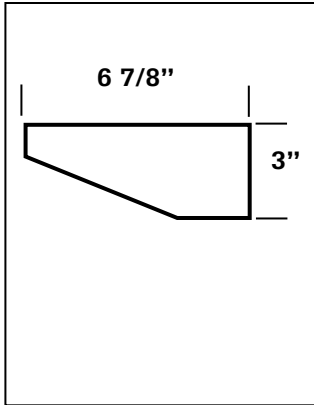


NW SERIES

Concentrated lighting is the essence of this premium shelf or wall light. A clear prismatic diffuser distributes maximum controlled brightness of one or two lamps on work area. Can be mounted under overhang or directly to wall.



Dimensional Data



Specifications

Construction: Fixture housing die-formed of heavy gauge cold rolled steel provided with adequate knockouts and mounting holes for either wall or shelf mounting.

Diffuser: Snap-in clear prismatic lens of extruded acrylic for controlled light.

Finish: All metal components are phosphate coated and electro-statically sprayed with a high quality baked white enamel with a minimum reflectance of 87%.

Wiring: Ballast are 120 volt.

Approval: All units are Underwriter's Laboratories (UL) approved.

Ordering Information

Catalog # 1 Light	Catalog # 2 Light	Lamp	Length
ELECTRONIC T12			
UNW115	UNW215EB	F15T12	18"
UNW120	UNW220EB	F20T12	24"
UNW130	UNW230EB	F30T12	36"
UNW140	UNW240EB	F40T12	48"
ELECTRONIC OCTRON T8			
UNW120EBO	UNW220EBO	F17T8	24"
UNW130EBO	UNW230EBO	F25T8	36"
UNW140EBO	UNW240EBO	F32T8	48"

Options and Accessories Add Suffix

- DIM Dimming ballast
- EM Emergency Ballast (1 light)
- EM/2 Emergency Ballast (2 light)
- RFI Radio Interference Filter
- FS External Fuse and Holder
- SW White Turn Switch
- CO Grounded Convenience Outlet

•Note: Consult Factory on Compatibility EM/2 Option.

Photometrics

Photometric Information available upon request.

Installation Data

