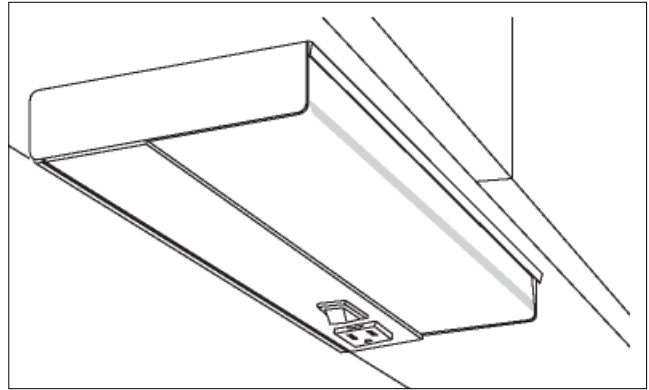


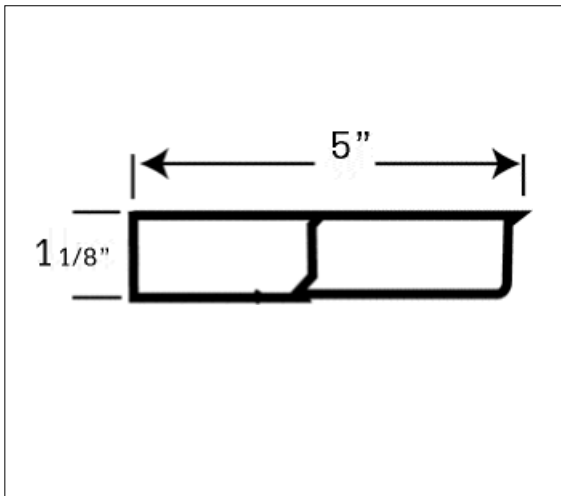
UT SERIES

ULTRA THIN UNDER CABINET LIGHTS

Ultra Thin's unique 1" silhouette combined with the energy efficiency of electronic ballast provides the ideal solution to those hard-to-light under cabinet and shelf work areas. A variety of lengths and lamp sizes allows for adequate illumination for all size spaces.



Dimensional Data



Specifications

Mounting: All units provided with 2 keyhole slots, 4 knock-outs and BX connector for ease of installation.

Construction: Fixture housing die-formed of heavy gauge cold rolled steel with no visible exterior hardware. Snap-in opal diffuser of highly durable, light-stable acrylic. Finished baked white enamel.

Diffuser: Smooth extruded opal acrylic.

Wiring: All ballasts are electronic instant start for T5 lamps. On-off rocker switch, grounded convenience outlet, 6' 3 wire cord set optional.

Approval: All units are Underwriter's Laboratories (UL) listed.

Ordering Information

On - Off Rocker Switch	Lamp	Size	No Switch	Lamp	Size
UT8	1-F8T5	12-3/16"	UT8-S	1-F8T5	12-3/16"
UT28	2-F8T5	24-7/16"	UT28-S	2-F8T5	24-7/16"
UT13	1-F13T5	21-8/16"	UT13-S	1-F13T5	21-3/16"
UT813	1-F13T5	33-7/16"	UT813-S	1-F13T5	33-7/16"
	1-F8T5			1-F8T5	
UT213	2-F13T5	42-7/16"	UT213-S	2-F13T5	42-7/16"

Photometrics

Photometric Information available upon request.

